

INSTALLATION INSTRUCTIONS

Low Voltage Landscape Lighting

Specifications and product details subject to change without notice.

Important: Please Read Before Installation

This luminaire is intended for installation in accordance with local codes and the National Electric Code (NEC). Failure to adhere to these codes and instructions may result in serious injury, property damage and void the warranty.

These instructions do not intend to cover all variations in installation, operation maintenance or mounting situations.

1. Make sure the power is turned OFF before installing or servicing this luminaire.
2. **WARNING:** risk of electrical shock. Install all luminaires 10 feet (3.05M) or more from pool, spa or fountain.
3. This luminaire is intended to be used only with a power supply (transformer) rated maximum of 300 watts (25 AMPS) at 15 volts.
4. Wiring connections must be made with wire connectors that are suitable for outdoor use.
5. Position the low voltage wire and wire connector so that it is located within 6 inches (15.2 cm) from a building structure, a luminaire or fitting.
6. The main low voltage cable is intended for shallow burial - less than 6 inches (152 mm).

Important Safety Instructions

INSTRUCTIONS PERTAINING TO A RISK OF FIRE, OR INJURY TO PERSONS **Lighted lamp is HOT!**

WARNING - To reduce the risk of FIRE OR INJURY TO PERSONS.

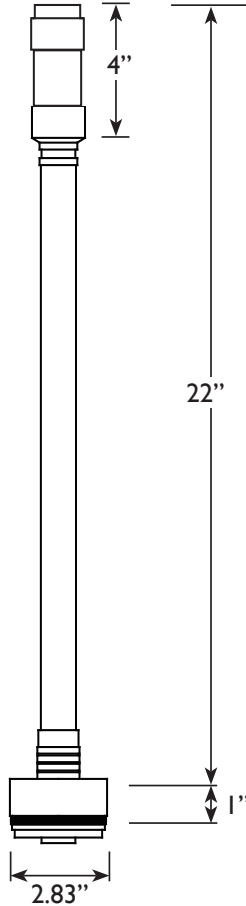
1. Turn off/unplug and allow to cool before replacing lamp.
2. Lamp gets HOT quickly! Contact only switch/plug when turning on.
3. Do not touch the hot lens, guard or enclosure.
4. Keep lamp away from materials that may burn.
5. Do not touch lamp at any time. Use a soft cloth. Oil from skin may damage lamp.
6. Do not operate the luminaire fitting with a missing or damaged shield.

SAVE THESE INSTRUCTIONS

Package Contents

- A. (1) Fixture Body
- B. (1) Integrated Hub Top

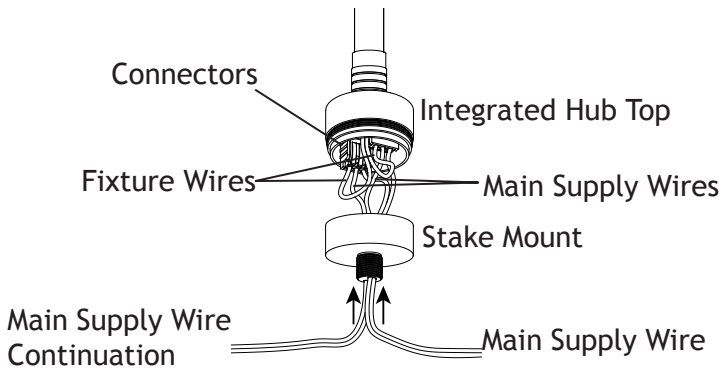
Product Dimensions



There are two types of mounts that are sold separately for this fixture, the Stake Mount and Surface Mount.

Option 1: Stake Mount

1 Wire Connection

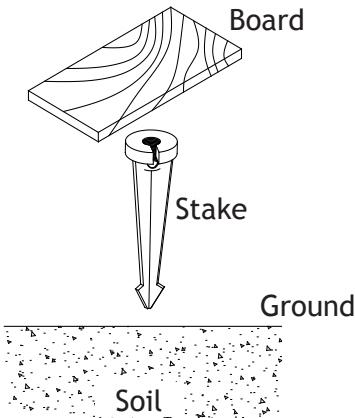


Insert the main supply wire continuation (if needed) and the main supply wire up through the bottom of the stake mount and strip the ends of both sets of supply wires.

Attach the fixture wires and both sets of the main supply wires to their correct connectors in the integrated hub top.

Once the wires are installed properly, thread the integrated hub top back onto the stake mount and hand tighten until snug.

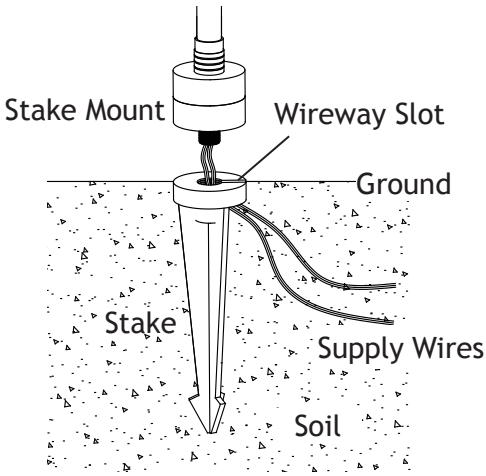
2 Install Stake



Determine the desired location for mounting the stake mount. Hammer the stake into the ground until flange of stake is flush to grade. To avoid damage to the stake, place a board on top of the stake while hammering.

Note: If the ground is hard and the stake is difficult to install, make a crosscut in the ground using a flat shovel.

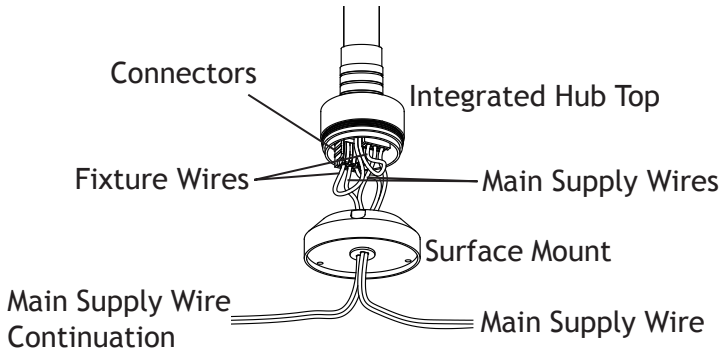
3 Install Stake Mount



Clear away an area in the ground at the wireway slot on top of the stake. Lay the supply wires into the wireway slot and screw the stake mount on to the stake. Tighten until snug.

Option 2: Surface Mount

1 Wire Connection

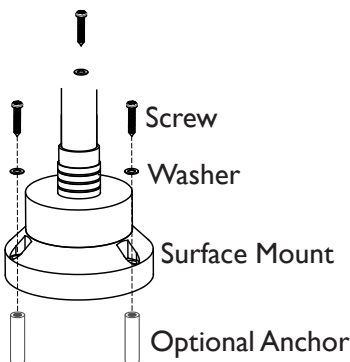


Insert the main supply wire continuation (if needed) and the main supply wire up through the bottom of the surface mount and strip the ends of both sets of supply wires.

Attach the fixture wires and both sets of the main supply wires to their correct connectors in the integrated hub top.

Once the wires are installed properly, thread the integrated hub top back onto the surface mount and hand tighten until snug.

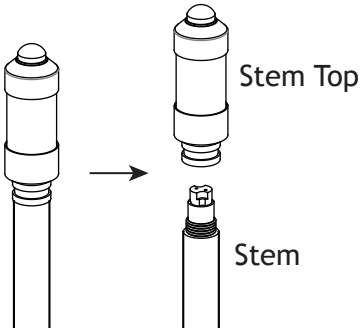
2 Install Surface Mount



Place the surface mount onto the desired location and secure it with the screws. Tighten with a screwdriver.

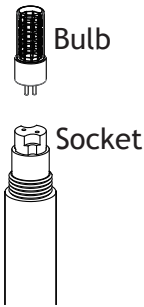
Bulb Installation

1 Remove Stem Top



Twist the stem top counter-clockwise and remove it from the stem.

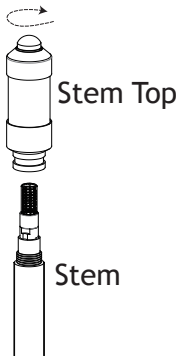
2 Install Bulb



Insert the bulb with the correct wattage and type marked on the fixture label and push firmly into place.

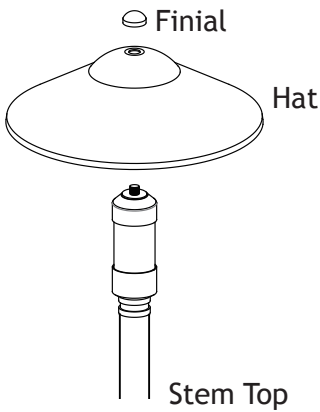
CAUTION: Do not exceed maximum wattage marked on luminaire label.

3 Install Stem Top to Stem



Place the stem top over the bulb and twist it clockwise onto the stem.

4 Install Hat



Place the hat of your choice onto the stem top and secure it with the finial.

Install/Replace Bulb

Remove the hat and stem top to expose the bulb and replace it with the correct wattage and type marked on the fixture label. Then, reinstall the stem top and hat.

IMPORTANT: Bulbs must be protected from moisture and dust at all times. Always reinstall the stem top and hat when removed.

INSTALLATION INSTRUCTIONS

Low Voltage Landscape Lighting

Specifications and product details subject to change without notice.