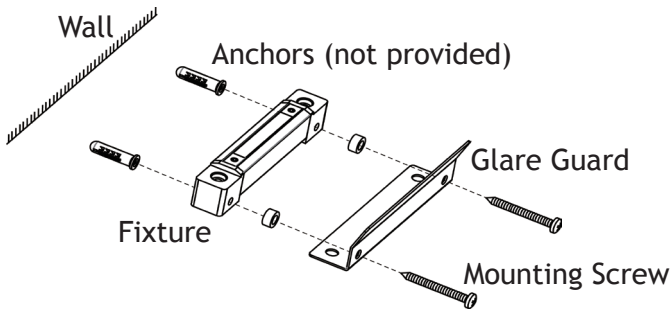


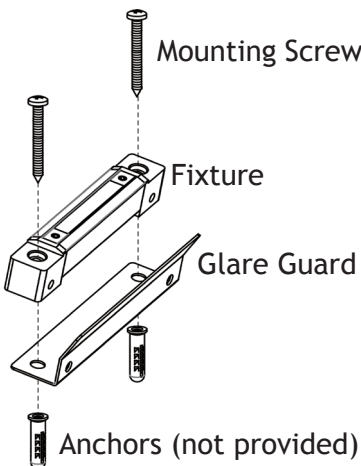
# Hardscape Glare Guard and Mounting Plate Installation Instructions

## 1 Method 1: Mount from Side



Pass the mounting screws through the holes on the side of the fixture and mark both points on the desired wall surface. Drill holes where you made the marks. Then, insert the wall anchors (not provided) of the proper type into the drilled holes. Pass the mounting screws through the bracket and spacers as shown. Tighten them together by threading the mounting screws into the wall anchors.

## 2 Method 2: Mount from Top



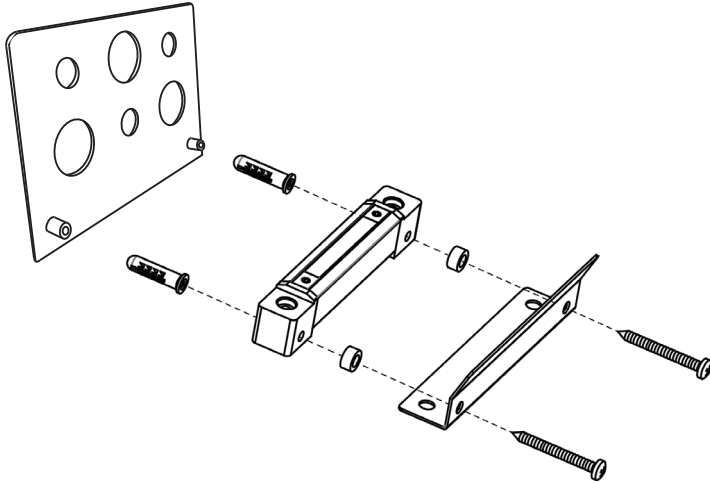
Pass the mounting screws through the holes on top of the fixture and mark both points on the desired mounting location. Drill holes using the marks, then insert the anchors (not provided) into the drilled holes.

Pass the mounting screws back through the glare guard and fixture as shown. Tighten them together by threading the mounting screws into the anchors.

Ground

# Hardscape Glare Guard and Mounting Plate Installation Instructions

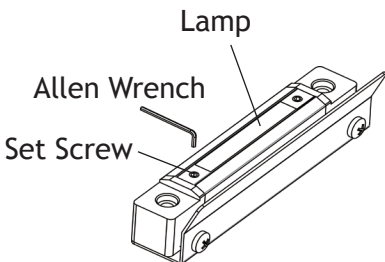
## 3 Method 3: Mount with Mounting Plate



Pass the set screws through the holes on the top of the fixture and into the mount. Hand tighten both sides, then firmly secure both screws with a screwdriver.

Mark the drill points using the open holes on the mount. Drill both holes and insert wall anchors (not provided) into the holes. Using the washers and the provided mounting screws, tighten the mount into the desired location.

## 4 Adjust Lamp Direction



Using an Allen wrench, loosen the set screws on the ends of the lamp and then rotate the lamp to the desired direction. Always tighten the set screws after adjustments.