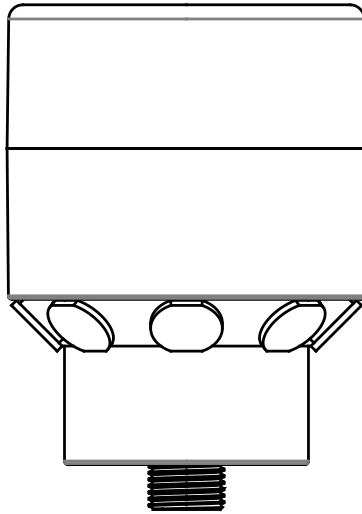


AMP®



INSTALLATION & MAINTENANCE GUIDE

AMP® LOW VOLTAGE LANDSCAPE LIGHTING

AMP® Pro Junction Hub (Gen. 3)

ITEM: VAC-HUB4-PBK-R1

1-813-978-3900 • Mon-Fri 9am-6pm (EST)

! IMPORTANT SAFETY INSTRUCTIONS: READ BEFORE INSTALLATION

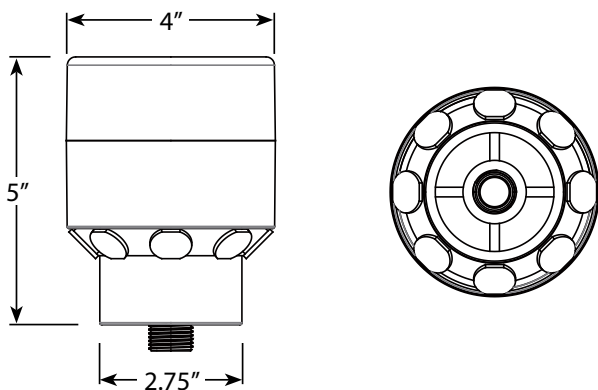
This connection hub is intended for installation in accordance with local codes and the National Electric Code (NEC). Failure to adhere to these codes and instructions may result in serious injury, property damage and void the warranty.

These instructions do not intend to cover all variations in installation, operation maintenance or mounting situations.

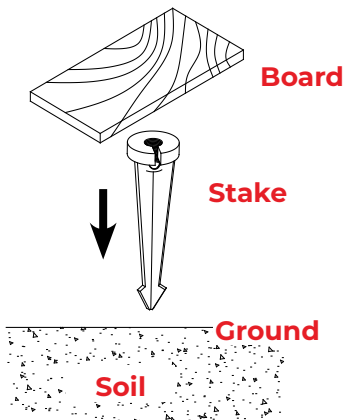
1. Make sure that the power is turned OFF before installing or servicing this fixture.
2. Warning: this connection hub is not intended to be installed within 10 feet [3 meters] of a pool, spa or fountain.
3. This connection hub is for outdoor use only, which must be mounted at least 1.25" (30 cm) above ground.
4. This connection hub is intended to be used only with a power supply (transformer) rated maximum of 300 watts (20 AMPS) at 15 volts.
5. Underground Low Energy Cable must not be buried over 6" (15.2 cm) in order to connect to the main low voltage cable.

PACKAGE CONTENTS

- A. (1) Connection Hub

PRODUCT DIMENSIONS

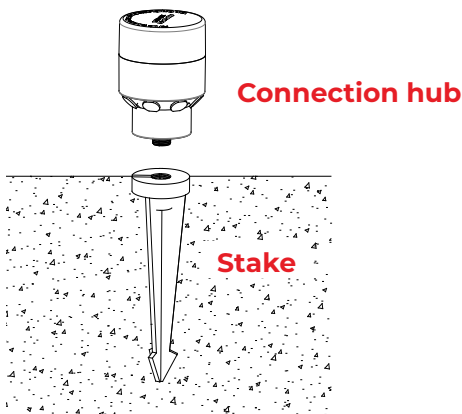
1 INSTALL STAKE



Determine the desired location for mounting the hub. Hammer the stake into the ground until flange of stake is flush to grade. To avoid damage to the stake, place a board on top of the stake while hammering.

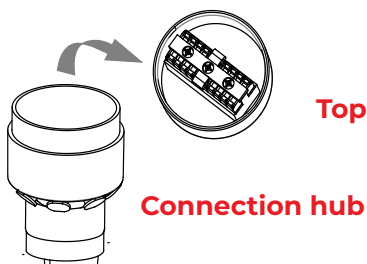
NOTE: If the ground is hard and the stake is difficult to install, make a crosscut in the ground using a flat shovel.

2 Install Connection Hub to Stake



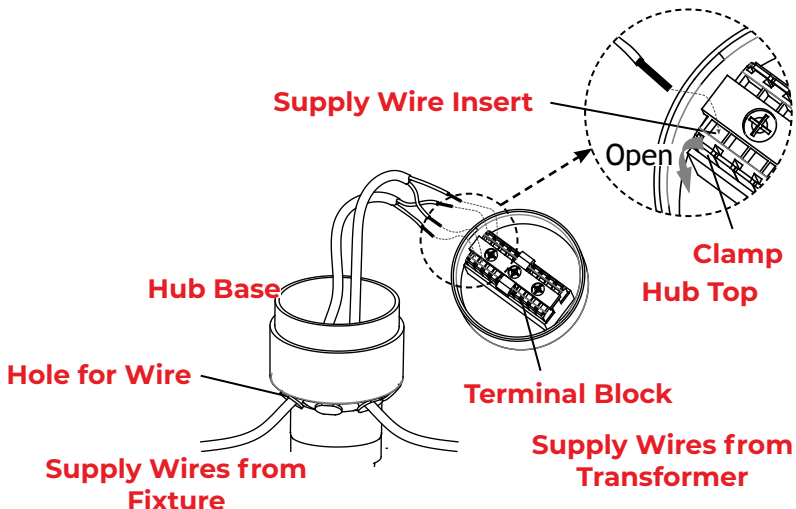
Hand tighten the connection hub to the stake until snug.

3 Remove Top



Remove the top from the connection hub.

4 Connect Wires

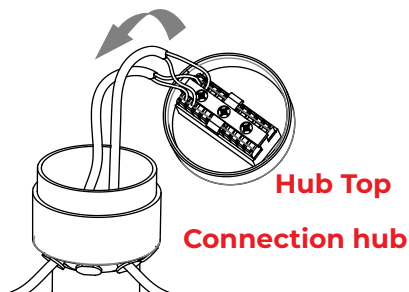


Pass the supply wires from the transformer through one of the holes underneath the hub base. Strip both leads of the supply wire from the transformer. Open the clamp on the connector that you are going to insert the wire in, insert one side of the supply wire into the connector on the terminal block and close the clamp. Then insert the other side of the wire into the opposite terminal block.

Use the same methods to connect the supply wires from the fixtures.

*NOTE: The connectors will hold up to 10 gauge wire.

4 Install Top



After the wires are well connected, place the top back onto the connection hub. Leave any access wire inside of the hub in case you need to adjust the placement of the fixtures.