

INSTALLATION INSTRUCTIONS

VOLT® LOW VOLTAGE LANDSCAPE LIGHTING

VOLT® Top Dog Scotty Spotlight
ITEM: VAL-180

! IMPORTANT: PLEASE READ BEFORE INSTALLATION

This luminaire is intended for installation in accordance with local codes and the National Electric Code (NEC). Failure to adhere to these codes and instructions may result in serious injury, property damage and void the warranty.

These instructions do not intend to cover all variations in installation, operation maintenance or mounting situations.

1. Make sure that the power is turned OFF before installing or servicing this luminaire.
2. **WARNING:** risk of electrical shock. Install all luminaires 10 feet (3.05M) or more from pool, spa or fountain.
3. This luminaire is intended to be used only with a power supply (transformer) rated maximum of 300 watts (25 AMPS) at 15 volts.
4. Wiring connections must be made with UL listed wire connectors that are suitable for outdoor use.
5. Position the low voltage wire and wire connector so that it is located within 6 inches (15.2 cm) from a building structure, a luminaire or fitting.
6. The main low voltage cable is intended for shallow burial - less than 6 inches (152 mm).

! IMPORTANT SAFETY INSTRUCTIONS**INSTRUCTIONS PERTAINING TO A RISK OF FIRE, OR INJURY TO PERSONS**
Lighted lamp is HOT!

WARNING – TO REDUCE THE RISK OF FIRE OR INJURY TO PERSONS.

1. Turn off/unplug and allow to cool before replacing lamp.
2. Lamp gets HOT quickly! Contact only switch/plug when turning on.
3. Do not touch the hot lens, guard or enclosure.
4. Keep lamp away from materials that may burn.
5. Do not touch lamp at any time. Use a soft cloth. Oil from skin may damage lamp.
6. Do not operate the luminaire fitting with a missing or damaged shield.

SAVE THESE INSTRUCTIONS

PACKAGE CONTENTS

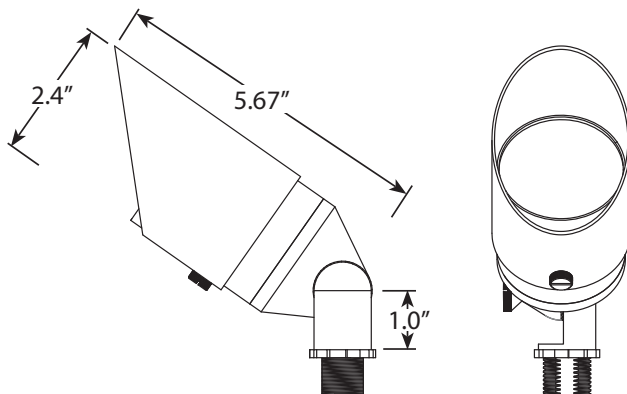
A. (1) Fixture Body

PRODUCT DIMENSIONS

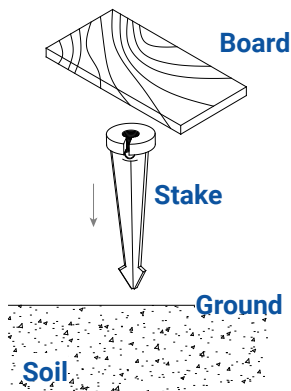
A. Mounting Accessory

B. MR16 Lamp

PRODUCT DIMENSIONS

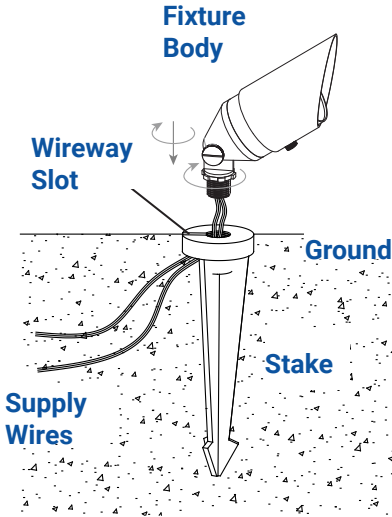


1 INSTALL STAKE

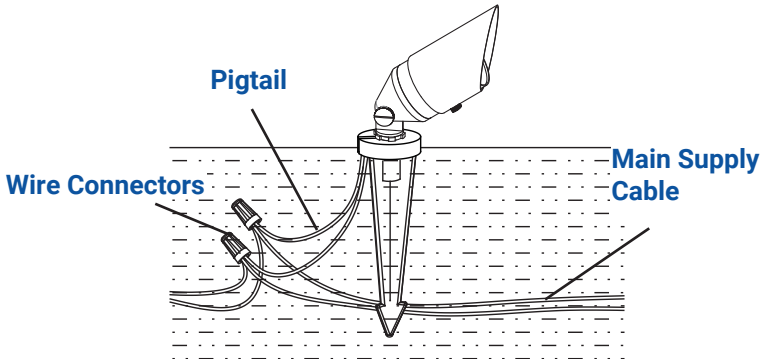


Determine the desired location for mounting the stake mount. Hammer the stake into the ground until flange of stake is flush to grade. To avoid damage to the stake, place a board on top of the stake while hammering.

Note: If the ground is hard and the stake is difficult to install, make a crosscut in the ground using a flat shovel.

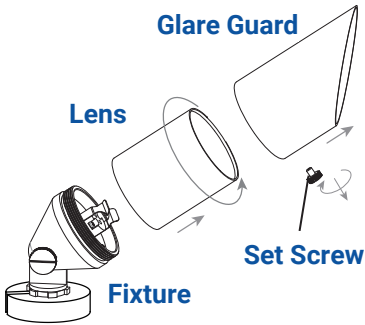
2 INSTALL FIXTURE BODY TO STAKE

Clear away an area in the ground at the wireway slot on top of the stake. Lay the supply wires into the wireway slot and attach the fixture on to the stake. Tighten until snug.

3 Wire Connection

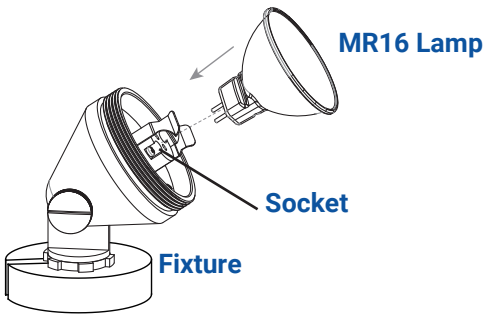
Strip both the leads from the luminaire pigtail. Using two UL listed wire connectors (sold separately), connect the leads from the luminaire to the main supply cable leads.

4 Remove Glare Guard and Lens



Unlock the set screw and remove the glare guard from the lens. Unscrew the lens to remove it from fixture.

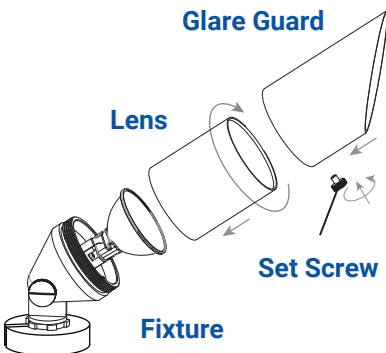
5 Install MR16 Lamp



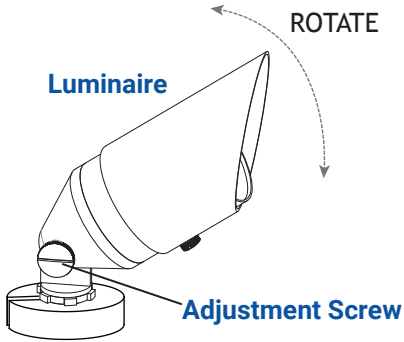
Insert MR16 bulb with the correct wattage and type marked on the fixture label and secure into place.

CAUTION: Do not exceed maximum wattage marked on luminaire label.

6 Install Glare Guard and Lens



Thread the lens back onto the fixture and hand tighten. Place the glare guard back onto the lens and secure with previously removed set screw.

7 Adjust Luminaire Direction

Loosen the adjustment screw at the joint and adjust the luminaire to the desired direction. Once the desired direction is achieved, tighten the adjustment screw.



1-813-978-3700 • Mon-Fri 8am-8pm • Sat-Sun 10am - 6pm (EST)

Specifications and product details subject to change without notice.
© Copyright 2023, VOLT® Lighting, Lutz FL USA 33549 • All rights reserved.
customersupport@voltlighting.com • www.voltlighting.com