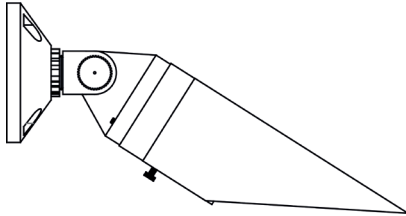
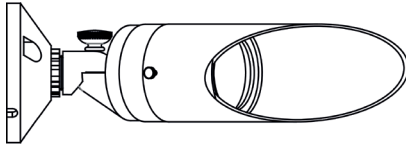


VOLT®



INSTALLATION INSTRUCTIONS

VOLT® LOW VOLTAGE LANDSCAPE LIGHTING

VOLT® Top Dog Scotty Downlight
ITEM: VAL-1810

1-813-978-3700 • Mon-Fri 8am-8pm • Sat-Sun 10am - 6pm (EST)

**IMPORTANT: PLEASE READ BEFORE INSTALLATION**

This luminaire is intended for installation in accordance with local codes and the National Electric Code (NEC). Failure to adhere to these codes and instructions may result in serious injury, property damage and void the warranty.

These instructions do not intend to cover all variations in installation, operation maintenance or mounting situations.

1. Make sure that the power is turned OFF before installing or servicing this luminaire.
2. **WARNING:** risk of electrical shock. Install all luminaires 10 feet (3.05M) or more from pool, spa or fountain.
3. This luminaire is intended to be used only with a power supply (transformer) rated maximum of 300 watts (25 AMPS) at 15 volts.
4. Wiring connections must be made with wire connectors that are suitable for outdoor use.
5. Position the low voltage wire and wire connector so that it is located within 6 inches (15.2 cm) from a building structure, a luminaire or fitting.
6. The main low voltage cable is intended for shallow burial - less than 6 inches (152 mm).
7. If additional lengths of low voltage cable are required, please contact www.voltlighting.com or call 1-813-978-3700.

**IMPORTANT SAFETY INSTRUCTIONS****INSTRUCTIONS PERTAINING TO A RISK OF FIRE, OR INJURY TO PERSONS****Lighted lamp is HOT!**

WARNING – To reduce the risk of FIRE OR INJURY TO PERSONS.

1. Turn off/unplug and allow to cool before replacing lamp.
2. Lamp gets HOT quickly! Contact only switch/plug when turning on.
3. Do not touch the hot lens, guard or enclosure.
4. Keep lamp away from materials that may burn.
5. Do not touch lamp at any time. Use a soft cloth. Oil from skin may damage lamp.
6. Do not operate the luminaire fitting with a missing or damaged shield.

SAVE THESE INSTRUCTIONS

PACKAGE CONTENTS

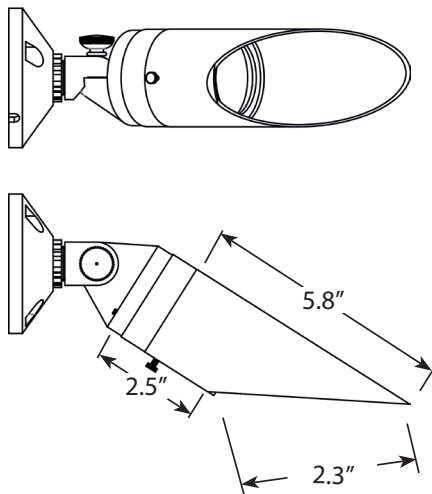
A. (1) Fixture

B. Offset kit with self-tapping screws

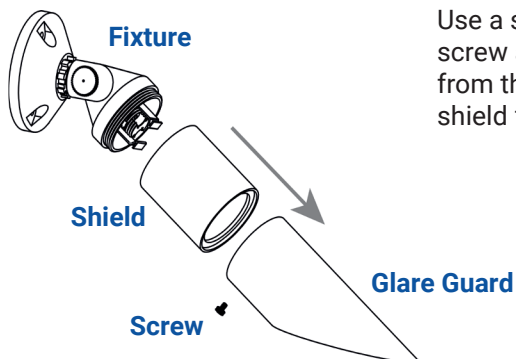
Parts Required (sold separately)

A. (1) MR16 Lamp

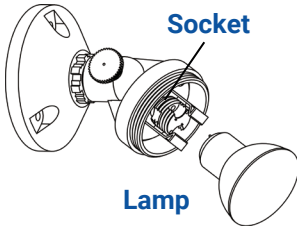
PRODUCT DIMENSIONS



1 Remove Shield and Glare Guard



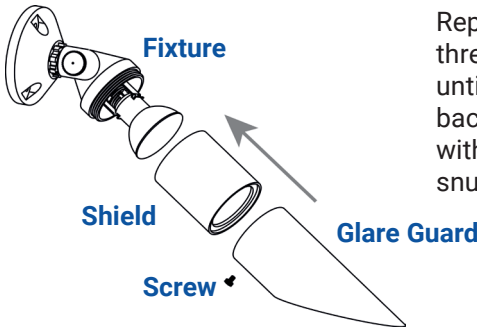
Use a screwdriver to unlock the screw and remove the glare guard from the shield. Then, remove the shield from the fixture.

2 INSTALL LAMP

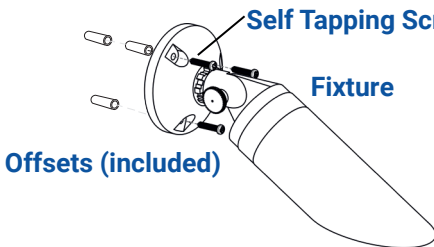
Insert the lamp with the correct wattage and type marked on the fixture label.

CAUTION: Do not exceed maximum wattage marked on luminaire label.

NOTE: DO NOT touch lamp with bare hands. Use soft cloth to handle lamp.

3 Install Shield and Glare Guard

Replace the shield over the lamp and thread it onto the fixture. Tighten until snug. Attach the glare guard back onto the shield and secure it with the provided screw. Tighten until snug with a screwdriver.

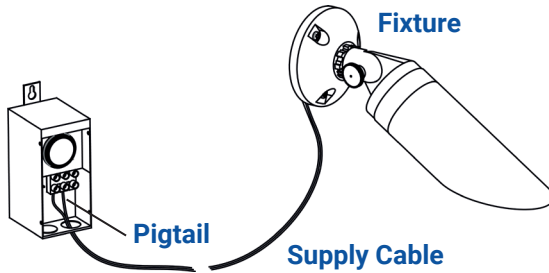
4 Install Fixture

Determine the desired location for the fixture. Pass self-tapping screws through holes on the surface mount. Thread the self-tapping screws into the surface to secure the fixture.

NOTE: For applications involving installation in trees, use the mounting kit with offsets. These will allow for tree growth.

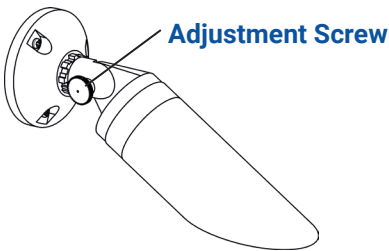
5 Wire Connections

Transformer (sold separately)



Lay out the supply cable to the transformer. Strip both leads from the luminaire pigtail. Connect the leads from the luminaire supply cable to the transformer (sold separately).

6 Adjust Angle of Lamp



Loosen the adjustment screw and adjust lamps to your desired angles and then tighten the adjustment screw.

Install/Replace Lamp

Unscrew the screw on the glare guard. Then remove the glare guard and shield to expose the lamp. Replace the lamp with the correct wattage and type marked on the fixture label. Then, reinstall the shield and glare guard and tighten with the included screw.

IMPORTANT: Halogen lamps must be protected from moisture and dust at all times. Always reinstall shields and glare guards when moved.



1-813-978-3700 • Mon-Fri 8am-8pm • Sat-Sun 10am - 6pm (EST)

Specifications and product details subject to change without notice.
© Copyright 2023, VOLT® Lighting, Lutz FL USA 33549 • All rights reserved.
customersupport@voltlighting.com • www.voltlighting.com