

# INSTALLATION INSTRUCTIONS



## VOLT® Line Voltage Landscape Lighting

VOLT® RGBW 120V Max All-Star Integrated LED Spotlight

VAL-2045-LI-ABK

### Help Hotline:

1-813-978-3700 • Mon-Fri 8am-8pm • Sat-Sun 10am - 6pm (EST)

Specifications and product details subject to change without notice.  
© Copyright 2020, VOLT® Lighting, Lutz FL USA 33549 • All rights reserved.  
customersupport@voltlighting.com • 813.978.3700



## Important: Please Read Before Installation

1. This LED Floodlight uses the latest in solid state lighting technology for long life, low maintenance, and high efficiency.
2. An internal power-factor-corrected switch-mode supply allows it to be used from any nominal 120V, 50/60 Hz AC supply without any variation in light output.
3. Suitable for use in the following locations:
  - ▶ Ambient Temp: -20~+25°C (-4~+77°F)
  - ▶ Wet Locations

Note: Save these instructions for future reference.

## Important Safety Instructions

To avoid the risk of fire, explosion, or electric shock, this product should be installed, inspected, and maintained by a qualified electrician only, in accordance with all applicable electrical codes.

To avoid electric shock, be certain electrical power is OFF before and during maintenance.

1. CAUTION: RISK OF ELECTRIC SHOCK, Do not use with extension cord near water or where water may accumulate. Keep lamp at least 16 feet from pools and spas. Keep plugs and receptacles dry. For use only on GFCI protected circuits. Do not submerge.
2. TO PREVENT ELECTRIC SHOCK MATCH WIDE BLADE OF PLUG TO WIDE SLOT.

To avoid explosion:

1. Make sure the supply voltage is the same as the rated luminaire voltage.
2. Do not install where the marked operating temperatures exceed the ignition temperature of the hazardous atmosphere.
3. Do not operate in ambient temperatures above those indicated on the luminaire nameplate.

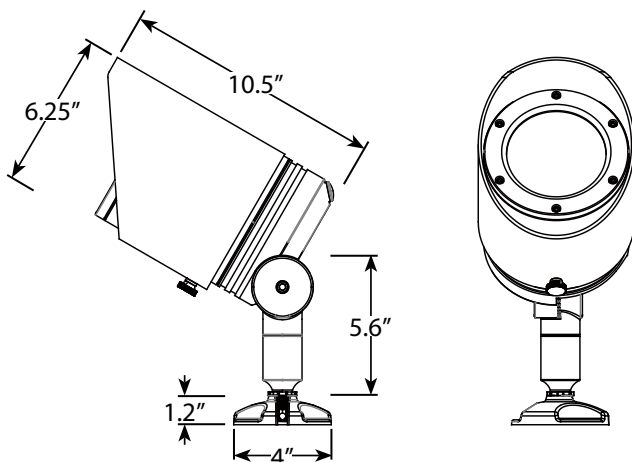
## Package Contents

- A. (1) Fixture Body
- B. (1) Allen Wrench
- C. (1) IR Remote
- D. (1) Mounting Accessory

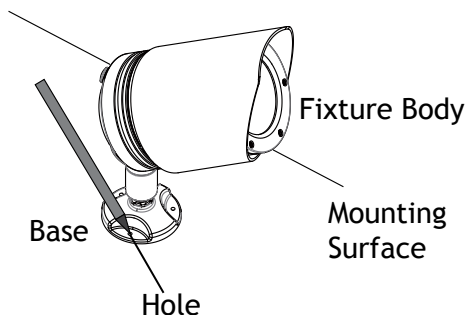
## Products Model #

Model	Input Voltage	Watt	Input Current
15W Spotlight	120V	15W	.22A

## Product Dimensions



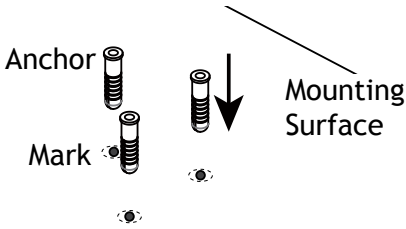
## 1 Mark points for Anchors



Mark three points on the mounting surface using the holes on the base as guides. These marks will be used for anchors.

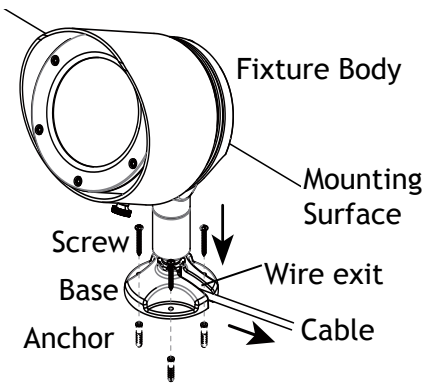


## 2 Install Anchors



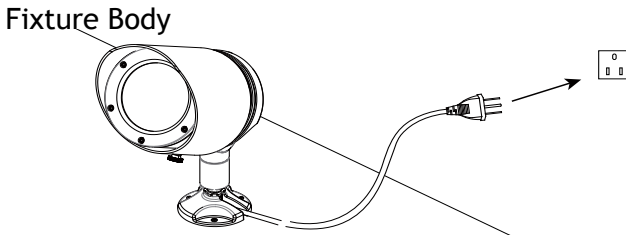
Drill the proper holes on the mounting surface for the anchors. Insert the anchors into the drilled holes.

## 3 Install Fixture Body



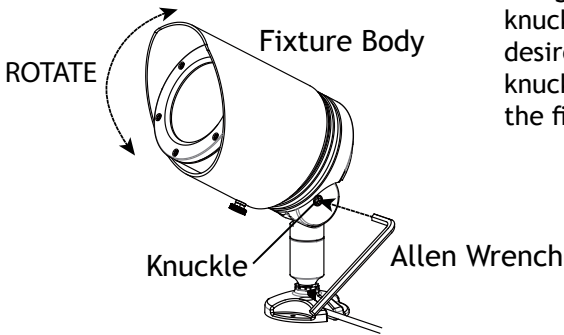
Place the base onto the anchors and secure with screws.

## 4 Wire Connection



Insert the plug from the fixture body into the outlet.

## 5 Adjust Fixture Body

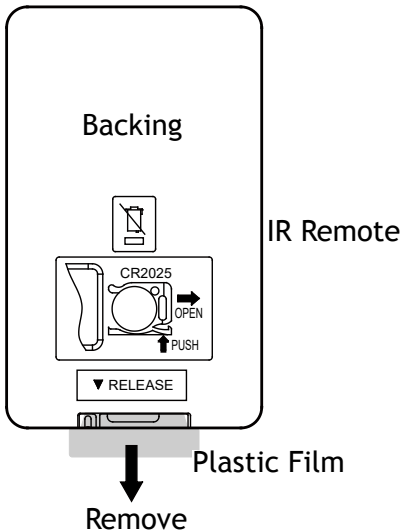


Using the Allen wrench, loosen the knuckle to adjust the fixture to the desired orientation. Tighten the knuckle with the Allen key to secure the fixtures adjustment.

## IR Remote

An IR Remote is suitable for this fixture. Please refer to the following instructions for usage and battery replacement.

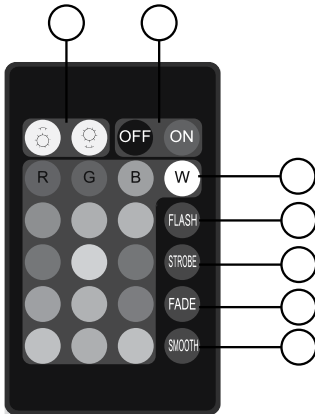
### 1 Remove Plastic Film



Remove the plastic film from the IR remote before use.



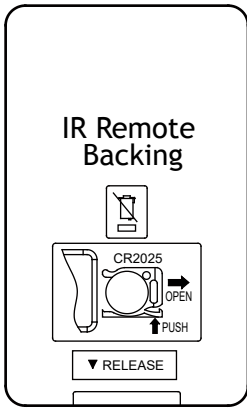
## 2 IR Remote Functions



NOTE: When using the remote make sure it is pointed at the sensor on the back of the fixture so it operates properly.

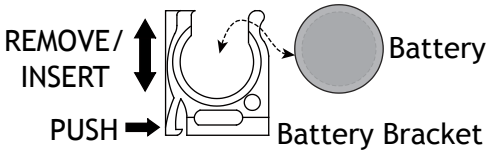
1. On/Off
2. Brightness Control
3. 16 color selections
4. Flash
  - ▶ Mode 1: Repeats Red, Green, Blue + color cycle for 1 second duration of each of the seven colors within this mode.
  - ▶ Mode 2: Hit flash a second time and this mode slowly blends the same seven colors from mode one, mixing them together.
5. Strobe
  - ▶ Mode 1: Pick any color on the remote, then press strobe and that color will strobe every second alternating between on and off.
  - ▶ Mode 2: Hit strobe a second time and this mode will strobe a blended white color at the same speed as before.
6. Fade
  - ▶ Mode 1: Pick any color on the remote, then press fade and that color will slowly fade in and out every second.
  - ▶ Mode 2: Hit fade a second time and it will fade a blended white color in and out at the same speed as before.
7. Smooth
  - ▶ Mode 1: Repeats a flash cycle of Red, Green, and Blue only.
  - ▶ Mode 2: Hit smooth a second time and this mode slowly blends Red, Green, and Blue only; in and out of each other at the same speed.

### 3 Replace Battery



Push the side of the battery bracket and carefully remove it from the IR remote. Replace the battery and then insert the battery bracket back into the IR remote.

Replacement Battery Style:  
CR2025 Button Battery





**Help Hotline:**

**1-813-978-3700 • Mon-Fri 8am-8pm • Sat-Sun 10am - 6pm (EST)**

[www.voltlighting.com](http://www.voltlighting.com)

Specifications and product details subject to change without notice.  
© Copyright 2020, VOLT® Lighting, Lutz FL USA 33549 • All rights reserved.  
[customersupport@voltlighting.com](mailto:customersupport@voltlighting.com) • 813.978.3700

IS-VAL-2045-LI-ABK-ver1.pdf