

INSTALLATION INSTRUCTIONS

VOLT® LOW VOLTAGE LANDSCAPE LIGHTING

VOLT® Cast Brass Deck Light
ITEM: VDL-600 & VDL-6000

 **IMPORTANT: PLEASE READ BEFORE INSTALLATION**

This luminaire is intended for installation in accordance with local codes and the National Electric Code (NEC). Failure to adhere to these codes and instructions may result in serious injury, property damage and void the warranty.

These instructions do not intend to cover all variations in installation, operation maintenance or mounting situations.

1. Make sure that the power is turned OFF before installing or servicing this luminaire.
2. **WARNING:** risk of electrical shock. Install all luminaires 10 feet (3.05M) or more from pool, spa or fountain.
3. This luminaire is intended to be used only with a power supply (transformer) rated maximum of 300 watts (25 AMPS) at 15 volts.
4. Wiring connections must be made with wire connectors that are suitable for outdoor use.
5. Position the low voltage wire and wire connector so that it is located within 6 inches (15.2 cm) from a building structure, a luminaire or fitting.
6. The main low voltage cable is intended for shallow burial - less than 6 inches (152 mm).
7. If additional lengths of low voltage cable are required, please contact www.voltlighting.com or call 1-813-978-3700.

 **IMPORTANT SAFETY INSTRUCTIONS****INSTRUCTIONS PERTAINING TO A RISK OF FIRE, OR INJURY TO PERSONS**
Lighted lamp is HOT!

WARNING – To reduce the risk of FIRE OR INJURY TO PERSONS.

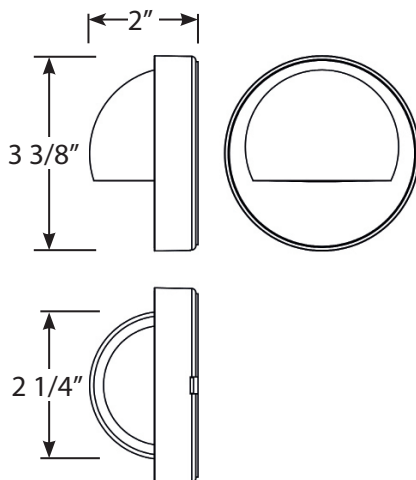
1. Turn off/unplug and allow to cool before replacing lamp.
2. Lamp gets HOT quickly! Contact only switch/plug when turning on.
3. Do not touch the hot lens, guard or enclosure.
4. Keep lamp away from materials that may burn.
5. Do not touch lamp at any time. Use a soft cloth. Oil from skin may damage lamp.
6. Do not operate the luminaire fitting with a missing or damaged shield.

SAVE THESE INSTRUCTIONS

PACKAGE CONTENTS

- A. (1) Luminaire
- B. (2) Lock Screws

Product Dimensions

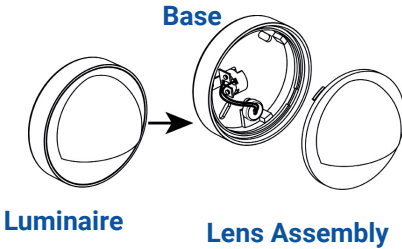


Pro Technique for Hiding Lead Wire

Determine the location for the fixture. Drill a hole straight through the desired mounting location and run the lead wire out the backside of the location so that the wires are not visible from the front side. Use a matching trim piece and cut a groove in the back of trim. Cover the lead wires with the matching trim piece.

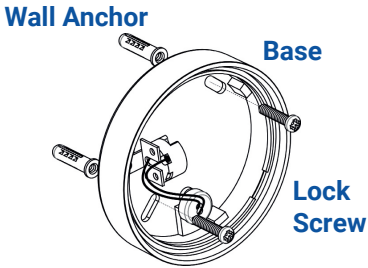
Pro Technique for Hiding Splice Connections

All fixtures come with 4' of lead wire enabling you to hide the splice connections out of sight. If you must make a splice connection in view, use an inline heat shrink style connection that is less visible than traditional twist caps.

1 Remove Lens Assembly

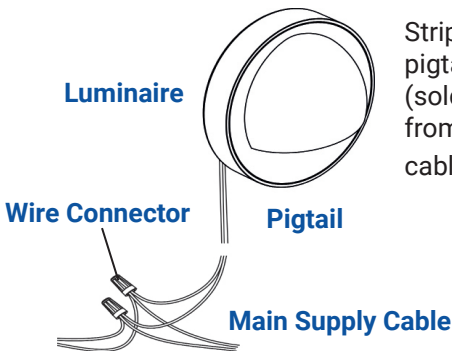
Rotate the lens assembly counter clockwise until it stops and then lift the lens assembly straight off.

Note: The first time it may be difficult because the luminaire has a tight o-ring seal and a grease sealant for moisture protection.

2 Install Base

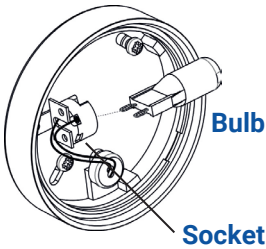
Attach the base onto the desired location and secure with the lock screws.

Note: Wall anchors are required for certain installation conditions e.g. Brick wall, Concrete Wall, etc.). Mark on the wall for wall anchors from the holes on the base. Remove the base and drill proper holes on the wall and then insert the wall anchors.

3 Wire Connections

Strip both leads from the luminaire pigtail. Using two wire connectors (sold separately), connect the leads from the luminaire to the main supply cable leads.

4 Install Bulb

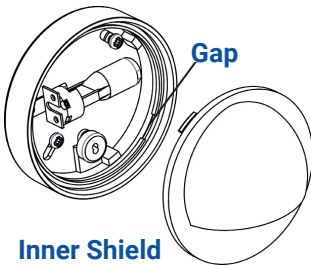


Insert the bulb with correct wattage and type marked on the luminaire label.

CAUTION: Do not exceed maximum wattage marked on luminaire label.

NOTE: DO NOT touch bulb with bare hands. Use soft cloth to handle bulb.

5 Install Lens Assembly



Push the lens assembly back onto the base aligned with the gaps on the base. Push hard (moisture proof fixture requires force to get air out). Once the lens assembly is flush with the base, rotate the lens assembly until it stops and locks into place.

Install/Replace Bulb

Rotate the lens assembly and then remove it to expose the bulb and replace it with the correct wattage and type marked on the luminaire label. And then reinstall the lens assembly.

IMPORTANT: Halogen bulbs must be protected from moisture and dust at all times. Always reinstall lens assembly when moved.



1-813-978-3700 • Mon-Fri 8am-8pm • Sat-Sun 10am - 6pm (EST)

Specifications and product details subject to change without notice.
© Copyright 2023, VOLT® Lighting, Lutz FL USA 33549 • All rights reserved.
customersupport@voltlighting.com • www.voltlighting.com