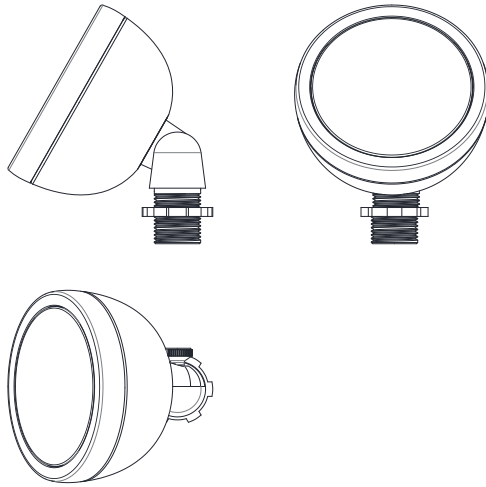


VOLT®



INSTALLATION INSTRUCTIONS

VOLT® LOW VOLTAGE LANDSCAPE LIGHTING

VOLT® Mini Round Wall Wash

ITEM: VFL-4027

1-813-978-3700 • Mon-Fri 8am-8pm • Sat-Sun 10am - 6pm (EST)

 **IMPORTANT: PLEASE READ BEFORE INSTALLATION**

This luminaire is intended for installation in accordance with local codes and the National Electric Code (NEC). Failure to adhere to these codes and instructions may result in serious injury, property damage and void the warranty.

These instructions do not intend to cover all variations in installation, operation maintenance or mounting situations.

1. Make sure that the power is turned OFF before installing or servicing this fixture.
2. Warning: this fixture is not intended to be installed within 10 feet [3 meters] of a pool, spa or fountain.
3. This fixture is intended to be used only with a power supply (transformer) rated maximum of 300 watts (25 AMPS) at 15 volts.
4. Underground Low Energy Cable must not be buried over 6" (15.2 cm) in order to connect to the main low voltage cable.
5. Wiring connections must be made with UL Listed wire connectors that are suitable for the application.
6. Position the wire connector so that it is located within 6 inches (15.2 cm) from a building structure, a luminaire, or fitting.

 **IMPORTANT SAFETY INSTRUCTIONS****INSTRUCTIONS PERTAINING TO A RISK OF FIRE, OR INJURY TO PERSONS**
LIGHTED LAMP IS HOT!

WARNING – To reduce the risk of FIRE OR INJURY TO PERSONS.

1. Turn off/unplug and allow to cool before reducing lamp.
2. Lamp gets HOT quickly!
3. Do not touch the hot lens, guard or cowl.
4. Keep lamp away from materials that may burn.
5. Do not touch lamp at any time.
6. Use a soft cloth.
7. Oil from skin may damage lamp.
8. Do not operate the fixture with a damaged or missing lens or shield.

PACKAGE CONTENTS

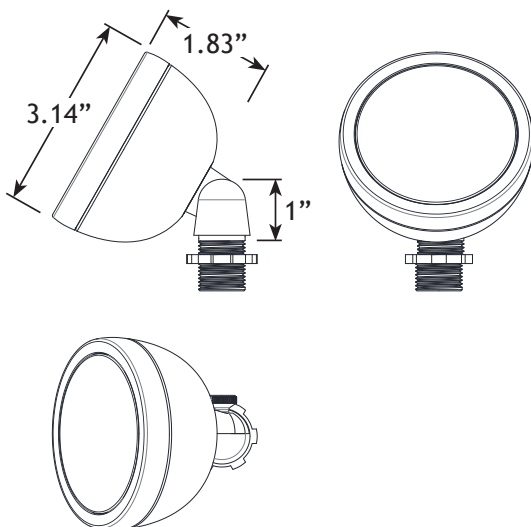
A. (1) Fixture Body

PARTS REQUIRED

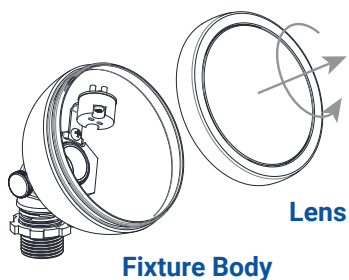
A. (1) G4 Bulb

B. Mounting Accessory

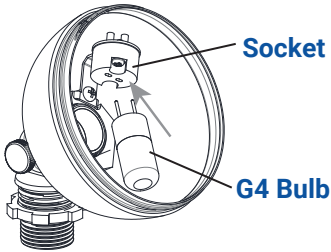
PRODUCT DIMENSIONS



1 REMOVE LENS

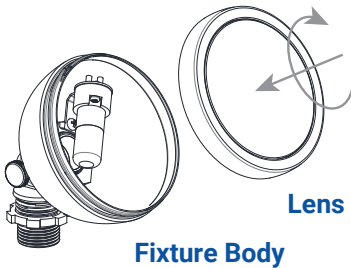


Loosen the lens and remove it from the fixture body by rotating it counter-clockwise.

2 INSTALL G4 BULB

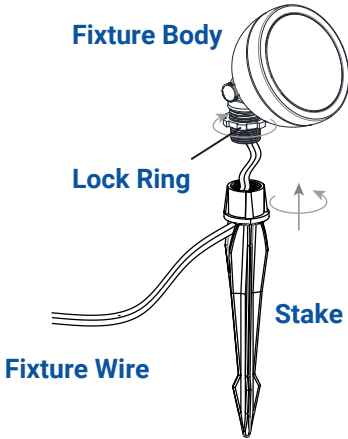
Insert G4 bulb with correct wattage and type marked on fixture label.

CAUTION: Do not exceed maximum wattage marked on luminaire label.

3 INSTALL LENS

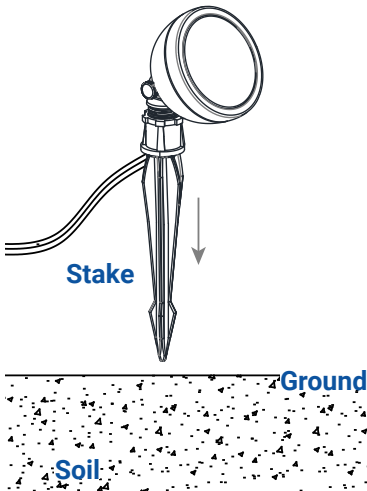
Thread the previously removed lens back onto the fixture body and hand tighten until snug.

4 Install Fixture Body to Stake



Pass fixture wire through the stake and thread the stake onto the fixture body. Screw the lock ring against the stake and hand tighten until snug.

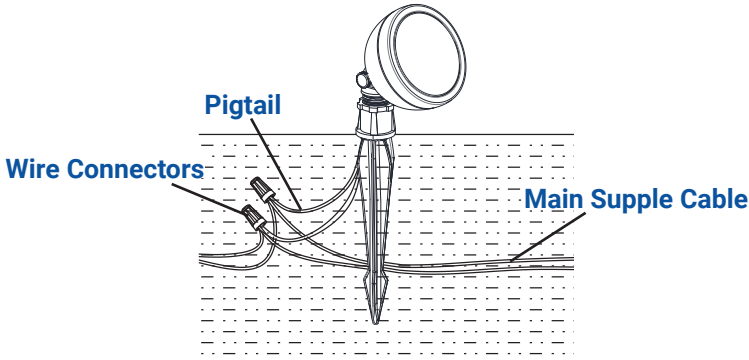
5 Install Stake



Determine the desired location for mounting the fixture. Insert the stake into the ground until flange of stake is flush to grade.

NOTE: If the ground is hard and the stake is difficult to install, make a crosscut in the ground using a flat shovel.

6 WIRE CONNECTION



Strip both the leads from the luminaire pigtail. Using two UL listed wire connectors (sold separately), connect the leads from the luminaire to the main supply cable leads.

INSTALL REPLACE LAMP

Please reverse Step 2 - Step 3 to expose the G4 bulb and replace it with the correct wattage and type marked on the fixture label. Then, reinstall the lens.

IMPORTANT: The G4 bulb must be protected from moisture and dust at all times. Always reinstall the lens when removed.



1-813-978-3700 • Mon-Fri 8am-8pm • Sat-Sun 10am - 6pm (EST)

Specifications and product details subject to change without notice.
© Copyright 2023, VOLT® Lighting, Lutz FL USA 33549 • All rights reserved.
customersupport@voltlighting.com • www.voltlighting.com