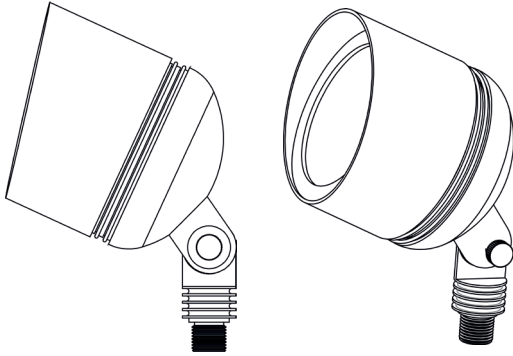


VOLT®



INSTALLATION INSTRUCTIONS

VOLT® LOW VOLTAGE LANDSCAPE LIGHTING

VOLT® Big Par36 Brass Bronze Flood
ITEM: VFL-4520-BBZ

1-813-978-3700 • Mon-Fri 8am-8pm • Sat-Sun 10am - 6pm (EST)

 **IMPORTANT: PLEASE READ BEFORE INSTALLATION**

This luminaire is intended for installation in accordance with local codes and the National Electric Code (NEC). Failure to adhere to these codes and instructions may result in serious injury, property damage and void the warranty.

These instructions do not intend to cover all variations in installation, operation maintenance or mounting situations.

1. Make sure that the power is turned OFF before installing or servicing this luminaire.
2. **WARNING:** risk of electrical shock. Install all luminaires 10 feet (3.05M) or more from pool, spa or fountain.
3. This luminaire is intended to be used only with a power supply (transformer) rated maximum of 300 watts (25 AMPS) at 15 volts.
4. Wiring connections must be made with UL listed wire connectors that are suitable for outdoor use.
5. Position the low voltage wire and wire connector so that it is located within 6 inches (15.2 cm) from a building structure, a luminaire or fitting.
6. The main low voltage cable is intended for shallow burial - less than 6 inches (152 mm).
7. If additional lengths of low voltage cable is required, please contact www.voltlighting.com or call 1-813-978-3700.

 **IMPORTANT SAFETY INSTRUCTIONS****INSTRUCTIONS PERTAINING TO A RISK OF FIRE, OR INJURY TO PERSONS**
LIGHTED LAMP IS HOT!

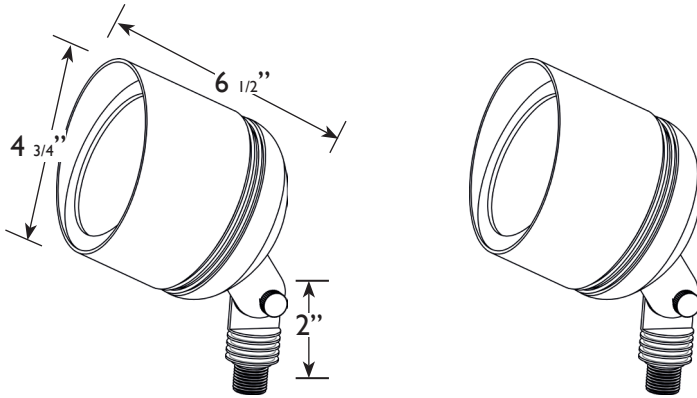
WARNING – To reduce the risk of FIRE OR INJURY TO PERSONS.

1. Turn off/unplug and allow to cool before reducing lamp.
2. Lamp gets HOT quickly!
3. Do not touch the hot lens, guard or cowl.
4. Keep lamp away from materials that may burn.
5. Do not touch lamp at any time.
6. Use a soft cloth.
7. Oil from skin may damage lamp.
8. Do not operate the fixture with a damaged or missing lens or shield.

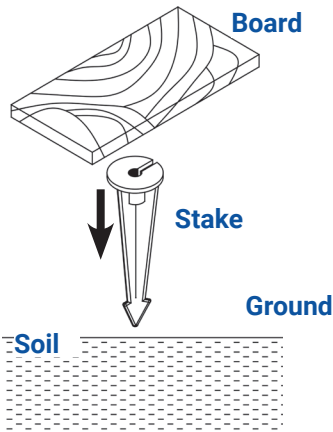
PACKAGE CONTENTS

- A. (1) Fixture
- B. (1) Stake

PRODUCT DIMENSIONS

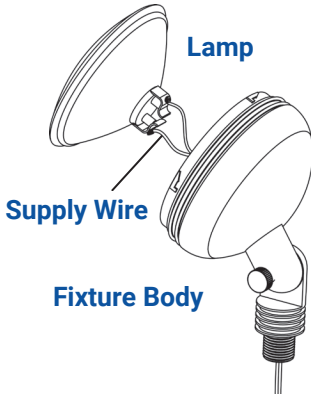


1 INSTALL STAKE



Determine the desired location for mounting the stake mount. Hammer the stake into the ground until flange of stake is flush to grade. To avoid damage to the stake, place a board on top of the stake while hammering.

Note: If the ground is hard and the stake is difficult to install, make a crosscut in the ground using a flat shovel.

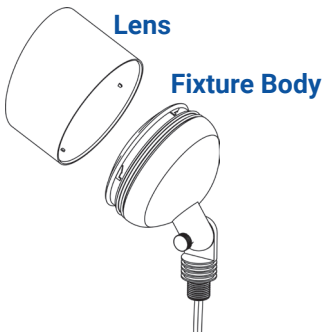
2 INSTALL LAMP

Use a PAR36 lamp (sold separately), with correct wattage and type as marked on luminaire label.

Connect supply wires to screws on the bottom of lamp, tighten until snug with screwdriver. Push lamp into lamp holder and seat in place.

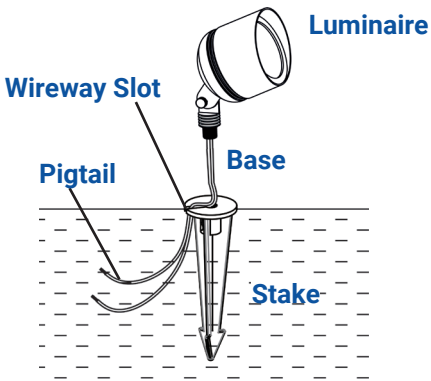
CAUTION: Do not exceed maximum wattage marked on luminaire label.

NOTE: DO NOT touch lamp with bare hands. Use soft cloth to handle lamp.

3 Install Lens

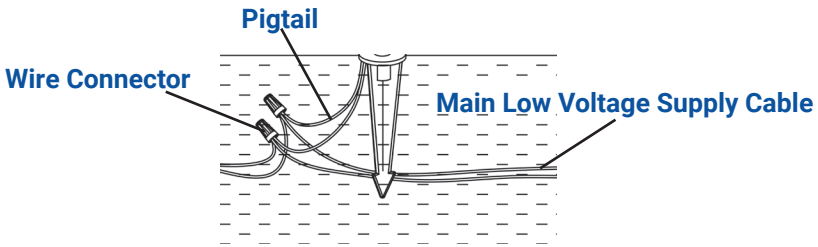
Install the lens to the fixture body by aligning the locking parts on both of them. Be sure to position the lens so when it turns it locks properly into place.

4 Install Fixture to Stake



Clear away an area in the ground at the wireway slot on top of the stake. Lay luminaire pigtail into the wireway slot and secure the fixture onto the stake. Tighten until snug.

5 Wire Connection



Strip both leads from the luminaire pigtail. Using two wire connectors (sold separately), connect the leads from the luminaire to the main low voltage supply cable leads.

INSTALL/REPLACE LAMP

Reverse Step 2 - Step 3 to expose the lamp and replace it with the correct wattage and type marked on the luminaire label.

IMPORTANT: Halogen lamps must be protected from moisture and dust at all times. Always reinstall the lens when removed.



1-813-978-3700 • Mon-Fri 8am-8pm • Sat-Sun 10am - 6pm (EST)

Specifications and product details subject to change without notice.
© Copyright 2023, VOLT® Lighting, Lutz FL USA 33549 • All rights reserved.
customersupport@voltlighting.com • www.voltlighting.com