

INSTALLATION INSTRUCTIONS

VOLT® LOW VOLTAGE LANDSCAPE LIGHTING

VOLT® Brass Bunker Thin Step Light

ITEM: VHS-610X-4-BBZ

 **IMPORTANT: PLEASE READ BEFORE INSTALLATION**

This luminaire is intended for installation in accordance with local codes and the National Electric Code (NEC). Failure to adhere to these codes and instructions may result in serious injury, property damage and void the warranty.

These instructions do not intend to cover all variations in installation, operation maintenance or mounting situations.

1. Make sure that the power is turned OFF before installing or servicing this fixture.
2. Warning: this fixture is not intended to be installed within 10 feet [3 meters] of a pool, spa or fountain.
3. This fixture is intended to be used only with a power supply (transformer) rated maximum of 300 watts (25 AMPS) at 15 volts.
4. Underground Low Energy Cable must not be buried over 6" (15.2 cm) in order to connect to the main low voltage cable.
5. Wiring connections must be made with UL Listed wire connectors that are suitable for the application.
6. The main low voltage cable is intended for shallow burial - less than 6 inches (152 mm).

 **IMPORTANT SAFETY INSTRUCTIONS****INSTRUCTIONS PERTAINING TO A RISK OF FIRE, OR INJURY TO PERSONS**
LIGHTED LAMP IS HOT!

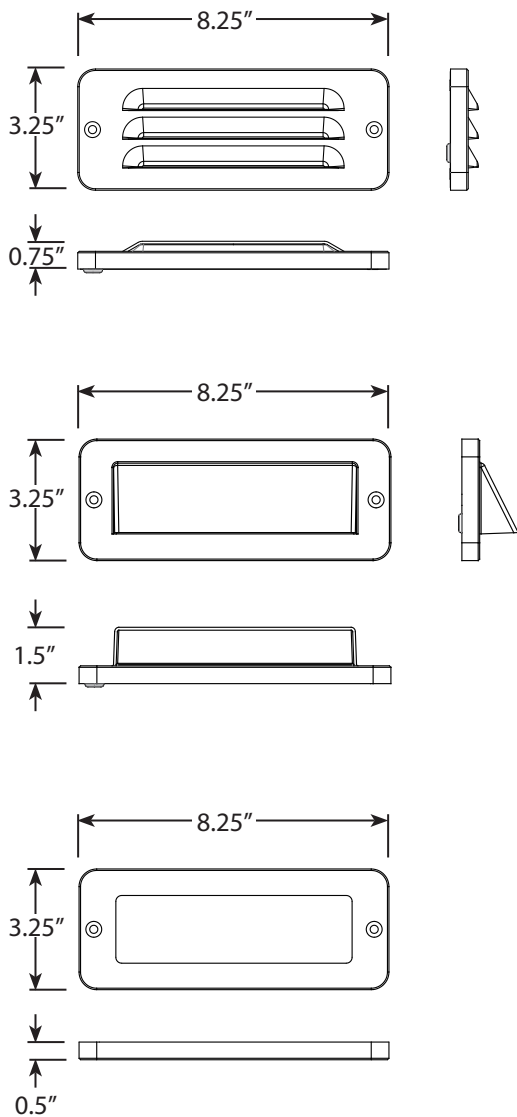
WARNING – To reduce the risk of FIRE OR INJURY TO PERSONS.

1. Turn off/unplug and allow to cool before reducing lamp.
2. Lamp gets HOT quickly!
3. Do not touch the hot lens, guard or cowl.
4. Keep lamp away from materials that may burn.
5. Do not touch lamp at any time.
6. Use a soft cloth.
7. Oil from skin may damage lamp.
8. Do not operate the fixture with a damaged or missing lens or shield.

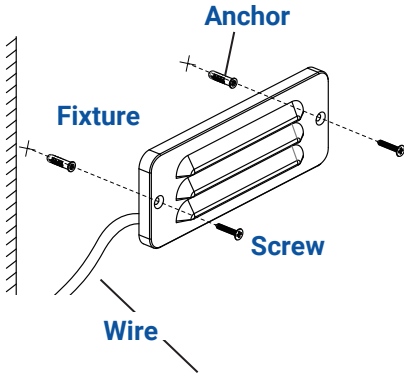
PACKAGE CONTENTS

A. (1) Fixture

PRODUCT DIMENSIONS



1 INSTALL FIXTURE

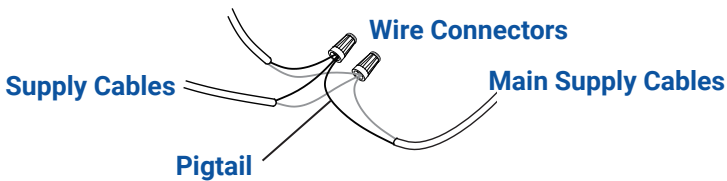


NOTE:
Must be mounted with the wire on the bottom.

Note: Anchors are required for concrete or brick walls. Hold the fixture on the wall and mark two points for the anchors using the mounting holes as guides. Then drill the proper holes using the marks. Insert the anchors into the drilled holes.

Attach the fixture onto the desired mounting surface and secure with the screws. Last, caulk around fixture to ensure it is sealed from water.

2 WIRE CONNECTIONS



Strip both leads from the fixture pigtail. Using two wire connectors (sold separately), connect the leads from the fixture to the main supply cable leads.



1-813-978-3700 • Mon-Fri 8am-8pm • Sat-Sun 10am - 6pm (EST)

Specifications and product details subject to change without notice.
© Copyright 2023, VOLT® Lighting, Lutz FL USA 33549 • All rights reserved.
customersupport@voltlighting.com • www.voltlighting.com