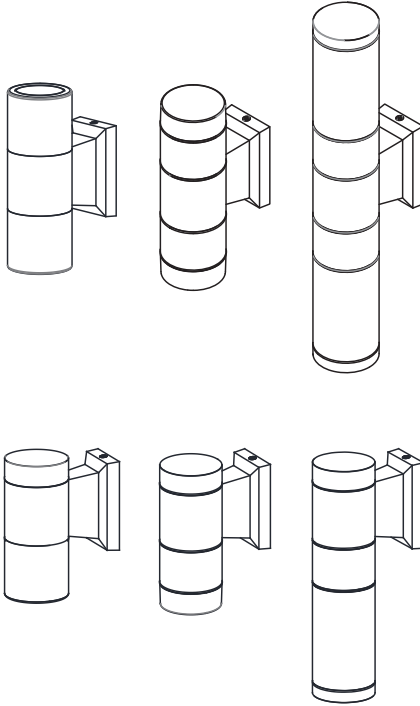


VOLT®



INSTALLATION INSTRUCTIONS **LOW VOLTAGE LANDSCAPE LIGHTING**

VOLT® Customizable Cast Brass Up/Down Sconce

1-813-978-3700 • Mon-Fri 8am-8pm • Sat-Sun 10am - 6pm (EST)

! IMPORTANT: PLEASE READ BEFORE INSTALLATION

This luminaire is intended for installation in accordance with local codes and the National Electric Code (NEC). Failure to adhere to these codes and instructions may result in serious injury, property damage and void the warranty.

These instructions do not intend to cover all variations in installation, operation maintenance or mounting situations.

1. Make sure that the power is turned OFF before installing or servicing this fixture.
2. Warning: risk of electrical shock. Install all luminaires 10 feet (3.05M) or more from pool, spa or fountain.
3. This luminaire is intended to be used only with a power supply (transformer) rated maximum of 300 watts (25 AMPS) at 15 volts.
4. Listed wire nuts must be suitable for wet locations and wiring connections must be made with UL listed wire connectors that are suitable for outdoor use.
5. Position the low voltage wire and wire connector so that it is located within 6 inches (15.2 cm) from a building structure, a luminaire or fitting.
6. The main low voltage cable is intended for shallow burial - less than 6 inches (152 mm).

! IMPORTANT SAFETY INSTRUCTIONS**INSTRUCTIONS PERTAINING TO A RISK OF FIRE, OR INJURY TO PERSONS**
LIGHTED LAMP IS HOT!

WARNING – To reduce the risk of FIRE OR INJURY TO PERSONS.

1. Turn off/unplug and allow to cool before reducing lamp.
2. Lamp gets HOT quickly! Contact only switch/plug when turning on.
3. Do not touch the hot lens, guard or enclosure.
4. Keep lamp away from materials that may burn.
5. Do not touch lamp at any time. Use a soft cloth. Oil from skin may damage lamp.
6. Do not operate the luminaire fitting with a missing or damaged shield.

SAVE THESE INSTRUCTIONS

PACKAGE CONTENTS

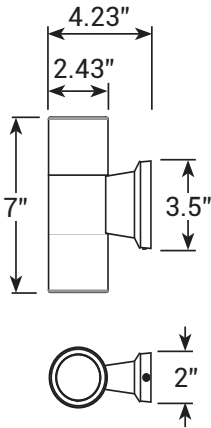
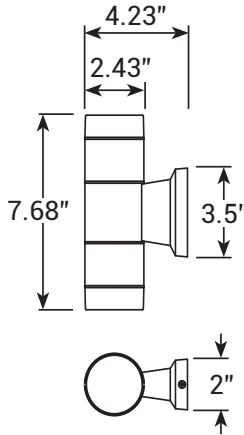
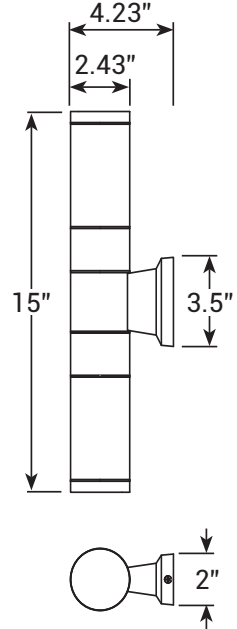
- A. (1) Mounting Bracket
- B. (2) Mounting Screws
- C. (2) Wall Anchors
- D. (2) Lock Screws
- E. (1) Fixture Body

PARTS REQUIRED

- A. (1 or 2) Optional Lens 1
(Part Number: VAC-GG17-BZZ)
- B. (1 or 2) Optional Lens 2
(Part Number: VAC-GG15-BZZ)
- C. (1 or 2) Optional Lens 3
(Part Number: VAC-GG14-BZZ)
- D. (1) Optional cover 4
(Part Number: VAC-GG16-BZZ)
- E. (1 or 2) MR16 Lamp (sold separately)

Note: "ZZ" in above part numbers refers to part color, such as: "BZ" means bronze, "BK" means black.

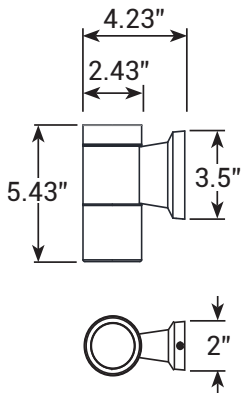
All the lenses offer different sizes and effects for this fixture.

PRODUCT DIMENSIONS**Assembly of Luminaire with Optional Lens**Optional Lens 1Optional Lens 2Optional Lens 3

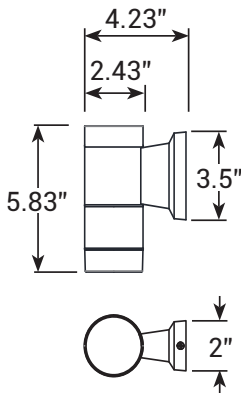
PRODUCT DIMENSIONS

Assembly of Luminaire with Optional Lens and Cover

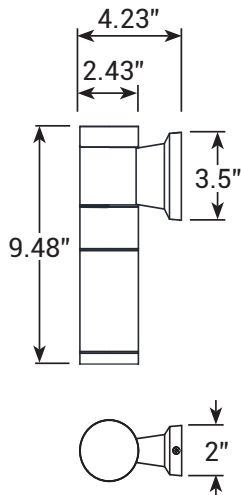
Optional Lens 1
and Cover 4



Optional Lens 2
and Cover 4

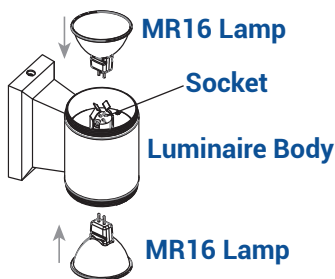


Optional Lens 3
and Cover 4

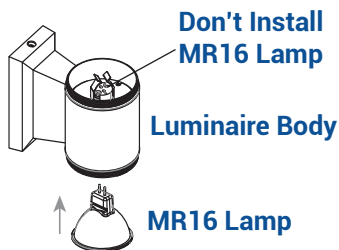


1 INSTALL MR16 LAMPS

Option 1



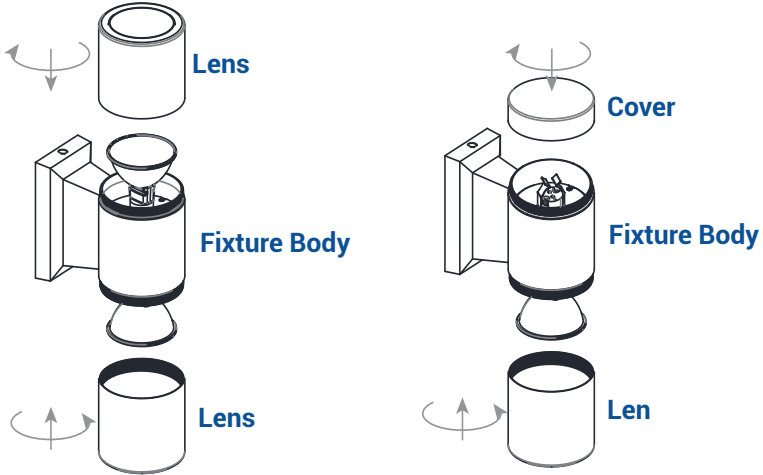
Option 2



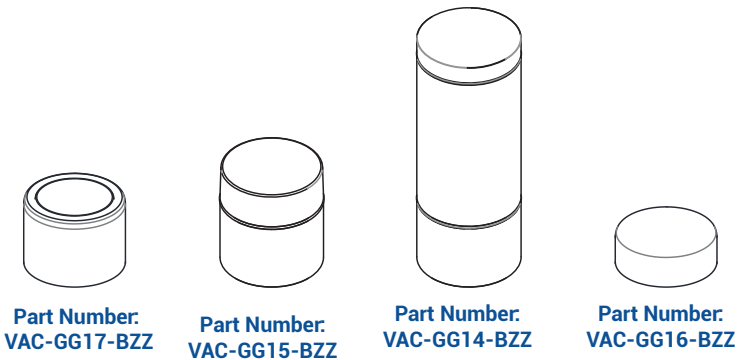
Insert the MR16 lamps (sold separately) with the correct wattage and type marked on the luminaire label.

CAUTION: Do not exceed maximum wattage marked on luminaire label.

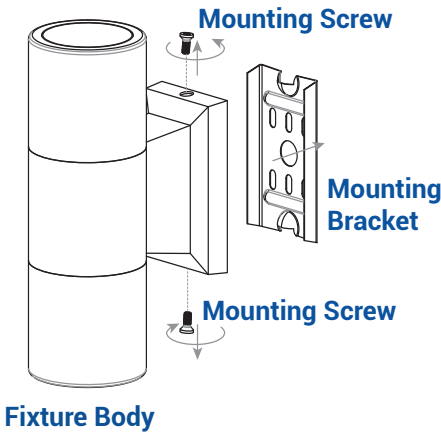
NOTE: DO NOT touch MR16 lamp with bare hands. Use soft cloth to handle bulb.

1 INSTALL LENS OR COVER

Thread the lens or cover onto the fixture body and hand tighten.

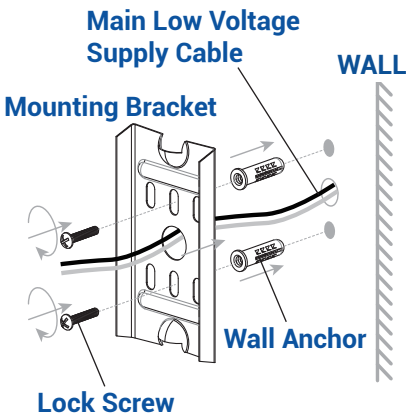


3 REMOVE MOUNTING BRACKET

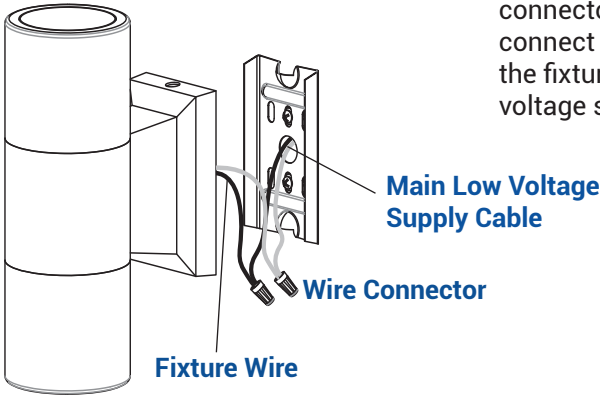
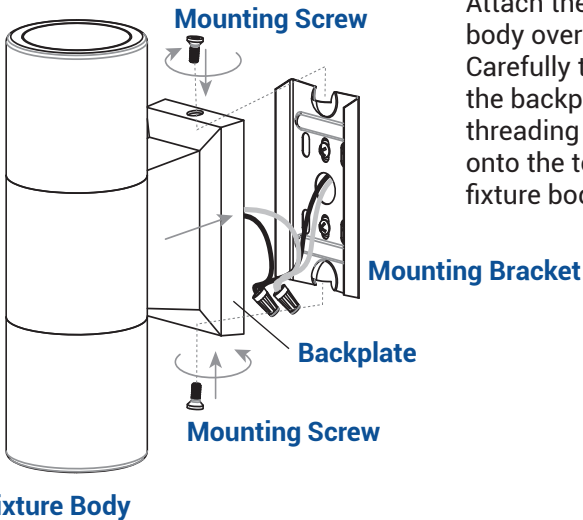


Remove the mounting screws from the fixture body then remove the mounting bracket.

4 INSTALL MOUNTING BRACKET



1. Place the mounting bracket at the desired location and mark the two points on the wall surface for the wall anchors.
2. Remove the mounting bracket and drill the proper holes on the wall.
3. Insert the wall anchors into the drilled holes.
4. Pass the main low voltage supply cable through the center hole on the mounting bracket and attach it onto the wall. Secure with the screws.

5 WIRE CONNECTIONS**6 INSTALL FIXTURE BODY**

MAINTENANCE – INSTALL/REPLACE MR16 LAMP

Remove the lenses from the fixture to expose the MR16 lamp and replace it with the correct wattage and type marked on the fixture label. Reinstall the lenses.

IMPORTANT: MR16 lamps must be protected from moisture and dust at all times. Always reinstall the lenses when removed.



INSTALLATION INSTRUCTIONS

VOLT® Customizable Cast Brass Up/Down Sconce



1-813-978-3700 • Mon-Fri 8am-8pm • Sat-Sun 10am - 6pm (EST)

Specifications and product details subject to change without notice.
© Copyright 2024, VOLT® Lighting, Lutz FL USA 33549 • All rights reserved.
customersupport@voltlighting.com • www.voltlighting.com