

INSTALLATION INSTRUCTIONS

VOLT® LOW VOLTAGE LANDSCAPE LIGHTING

VOLT® Ultra Premium Cast Brass Up/Down Sconce & Lanai Light
ITEM: VHS-650

1-813-978-3700 • Mon-Fri 8am-8pm • Sat-Sun 10am - 6pm (EST)

 **IMPORTANT: PLEASE READ BEFORE INSTALLATION**

This luminaire is intended for installation in accordance with local codes and the National Electric Code (NEC). Failure to adhere to these codes and instructions may result in serious injury, property damage and void the warranty.

These instructions do not intend to cover all variations in installation, operation maintenance or mounting situations.

1. Make sure that the power is turned OFF before installing or servicing this luminaire.
2. **WARNING:** risk of electrical shock. Install all luminaires 10 feet (3.05M) or more from pool, spa or fountain.
3. This luminaire is intended to be used only with a power supply (transformer) rated maximum of 300 watts (25 AMPS) at 15 volts.
4. Listed wire nuts must be suitable for wet locations and wiring connections must be made with UL listed wire connectors that are suitable for outdoor use.
5. Position the low voltage wire and wire connector so that it is located within 6 inches (15.2 cm) from a building structure, a luminaire or fitting.
6. The main low voltage cable is intended for shallow burial - less than 6 inches (152 mm).
7. If additional lengths of low voltage cable are required, please contact www.voltlighting.com or call 1-813-978-3700.

 **IMPORTANT SAFETY INSTRUCTIONS****INSTRUCTIONS PERTAINING TO A RISK OF FIRE, OR INJURY TO PERSONS****LIGHTED LAMP IS HOT!**

WARNING – To reduce the risk of FIRE OR INJURY TO PERSONS.

1. Turn off/unplug and allow to cool before reducing lamp.
2. Lamp gets HOT quickly!
3. Do not touch the hot lens, guard or cowl.
4. Keep lamp away from materials that may burn.
5. Do not touch lamp at any time.
6. Use a soft cloth.
7. Oil from skin may damage lamp.
8. Do not operate the fixture with a damaged or missing lens or shield.

PACKAGE CONTENTS

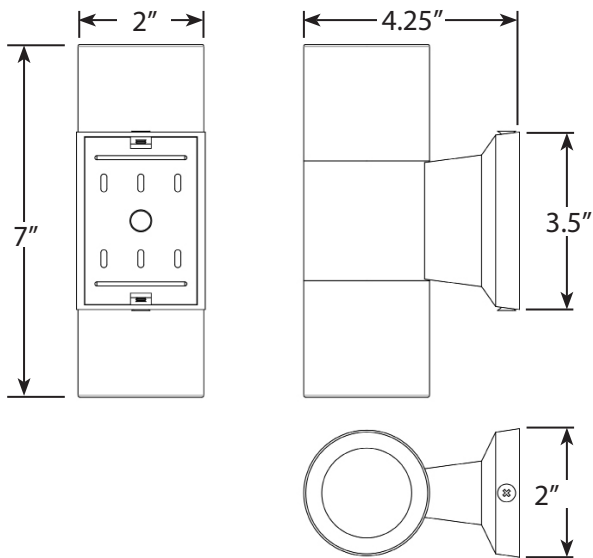
A. (1) Wall Mount

B. (2) Mounting Screws

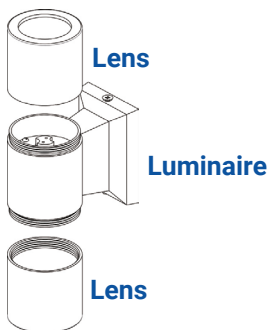
C. (2) Wall Anchors

D. (1) Luminaire

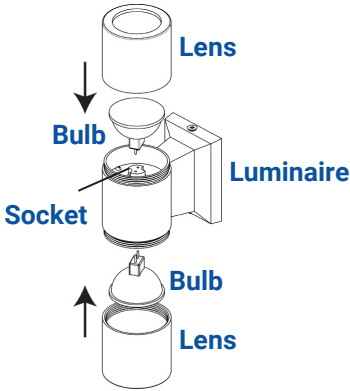
PRODUCT DIMENSIONS



1 REMOVE LENS



Twist the top and bottom lens to remove them from the luminaire.

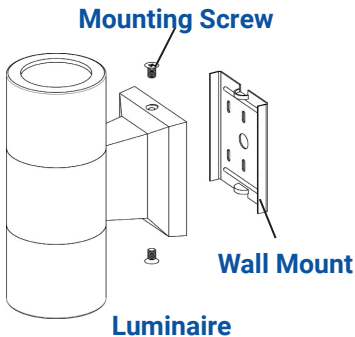
2 INSTALL BULB AND LENS

Insert the bulbs (sold separately) with the correct wattage and type marked on the luminaire label.

CAUTION: Do not exceed maximum wattage marked on luminaire label.

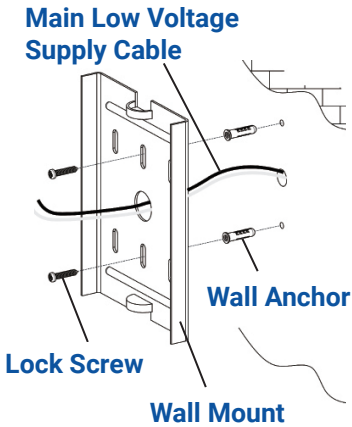
NOTE: DO NOT touch bulb with bare hands. Use soft cloth to handle bulb.

Tighten the lenses back onto the fixture body.

3 Remove Luminaire from Wall Mount

Remove the mounting screws off the top and bottom of the luminaire and remove the luminaire from the wall mount.

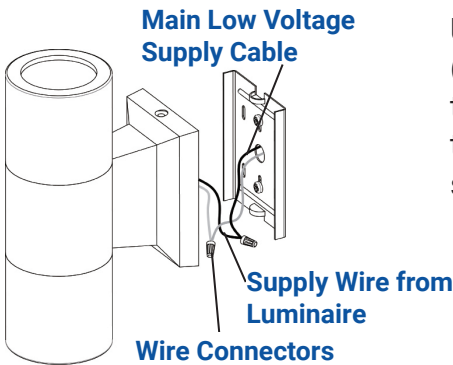
4 Install Wall Mount



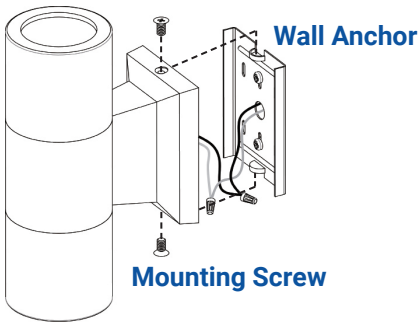
Place the wall mount at the desired location and mark two points on the wall surface for the wall anchors. Remove the wall mount and drill the proper holes on the wall.

Insert the wall anchors, into the drilled holes. Pass the main low voltage supply cable through the center hole on the wall mount and attach it onto the wall. Secure with the lock screws. Hand tighten until snug.

5 Wire Connection



Using two wire connectors (sold separately) connect the supply wires from the fixture to the main low voltage supply cable leads.

6 INSTALL LUMINAIRE

Carefully tuck all the wires into the wall mount. Attach the back of the luminaire over the wall mount. Secure it by threading the mounting screws onto the top and bottom of the luminaire body.

INSTALL/REPLACE BULB

Remove the lens assembly off the luminaire body to expose the bulb and replace it with the correct wattage and type marked on the luminaire label. Reinstall the lens assembly.

IMPORTANT: Halogen bulbs must be protected from moisture and dust at all times. Always reinstall the shade and lens when removed.



1-813-978-3700 • Mon-Fri 8am-8pm • Sat-Sun 10am - 6pm (EST)

Specifications and product details subject to change without notice.
© Copyright 2023, VOLT® Lighting, Lutz FL USA 33549 • All rights reserved.
customersupport@voltlighting.com • www.voltlighting.com