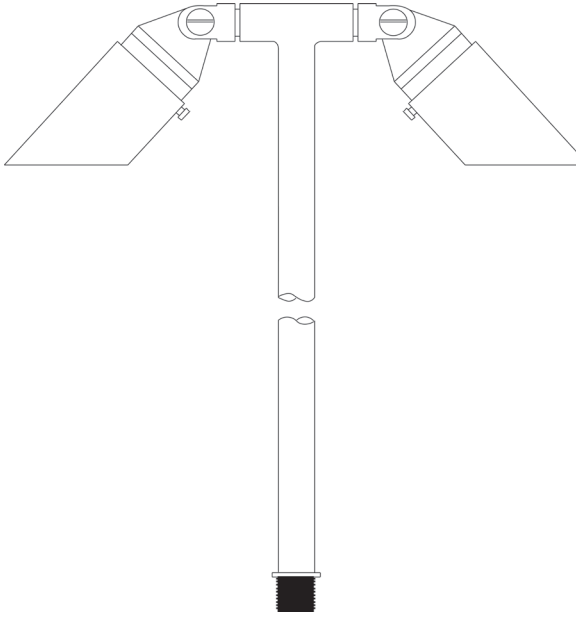


VOLT®



INSTALLATION INSTRUCTIONS

VOLT® LOW VOLTAGE LANDSCAPE LIGHTING

VOLT® Top Dog Scotty Mini Twinnovator Brass Path & Area Light
ITEM: VPL-3398

1-813-978-3700 • Mon-Fri 8am-8pm • Sat-Sun 10am - 6pm (EST)

 **IMPORTANT: PLEASE READ BEFORE INSTALLATION**

This luminaire is intended for installation in accordance with local codes and the National Electric Code (NEC). Failure to adhere to these codes and instructions may result in serious injury, property damage and void the warranty.

These instructions do not intend to cover all variations in installation, operation maintenance or mounting situations.

1. Make sure that the power is turned OFF before installing or servicing this fixture.
2. Warning: this fixture is not intended to be installed within 10 feet [3 meters] of a pool, spa or fountain.
3. This fixture is intended to be used only with a power supply (transformer) rated maximum of 300 watts (25 AMPS) at 15 volts.
4. Underground Low Energy Cable must not be buried over 6" (15.2 cm) in order to connect to the main low voltage cable.
5. Wiring connections must be made with UL Listed wire connectors that are suitable for the application.
6. Position the wire connector so that it is located within 6 inches (15.2 cm) from a building structure, a luminaire, or fitting.

 **IMPORTANT SAFETY INSTRUCTIONS****INSTRUCTIONS PERTAINING TO A RISK OF FIRE, OR INJURY TO PERSONS**
LIGHTED LAMP IS HOT!

WARNING – To reduce the risk of FIRE OR INJURY TO PERSONS.

1. Turn off/unplug and allow to cool before reducing lamp.
2. Lamp gets HOT quickly!
3. Do not touch the hot lens, guard or cowl.
4. Keep lamp away from materials that may burn.
5. Do not touch lamp at any time.
6. Use a soft cloth.
7. Oil from skin may damage lamp.
8. Do not operate the fixture with a damaged or missing lens or shield.

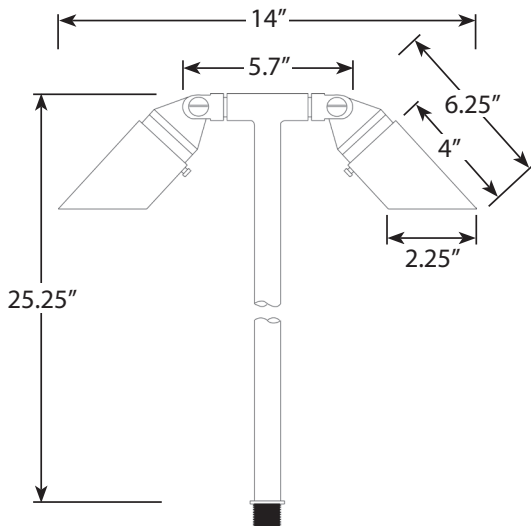
PACKAGE CONTENTS

A. (1) Fixture

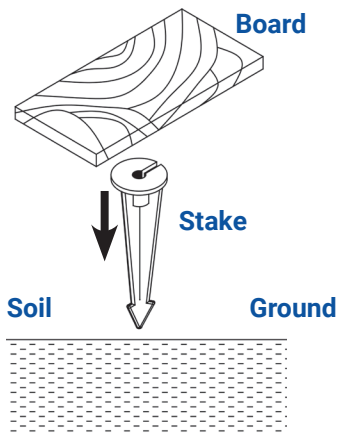
PACKAGE CONTENTS

A. (2) MR11 Lamps

PRODUCT DIMENSIONS

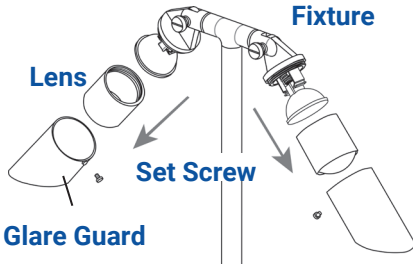


1 INSTALL STAKE

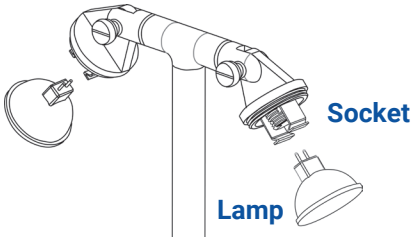


Determine the desired location for mounting the stake mount. Hammer the stake into the ground until flange of stake is flush to grade. To avoid damage to the stake, place a board on top of the stake while hammering.

Note: If the ground is hard and the stake is difficult to install, make a crosscut in the ground using a flat shovel.

2 REMOVE GLARE GUARD AND LENS

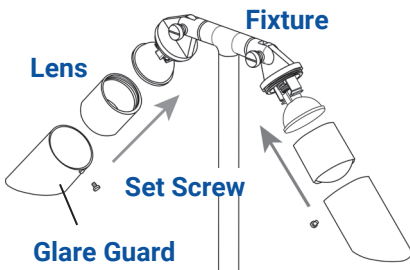
Loosen the set screws and remove the glare guards from the lens. Then remove the lens from the fixture.

3 INSTALL LAMP

Insert lamp with correct wattage and type marked on fixture label.

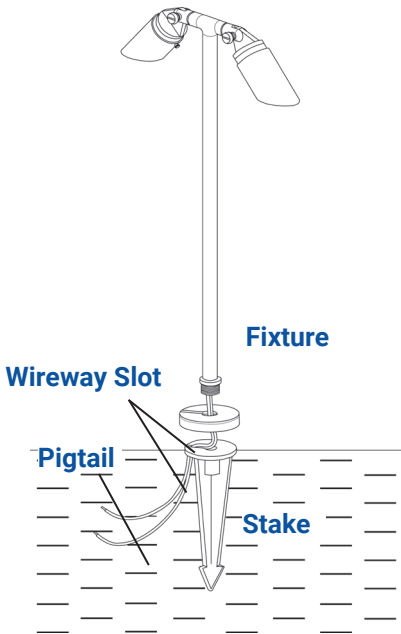
CAUTION: Do not exceed maximum wattage marked on luminaire label.

NOTE: DO NOT touch lamp with bare hands. Use soft cloth to handle lamp.

4 INSTALL LENS AND GLARE GUARD

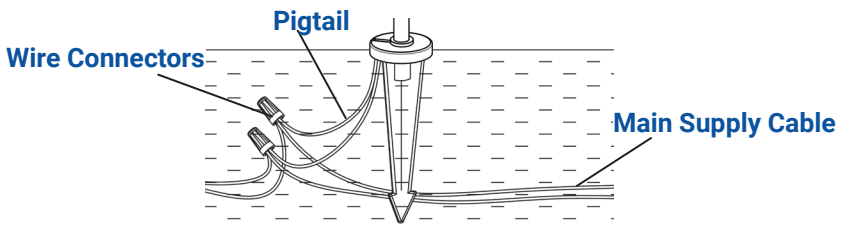
Place the lens over lamps and thread onto fixture. Attach glare guards back onto the lens and secure with set screws.

5 INSTALL FIXTURE TO STAKE

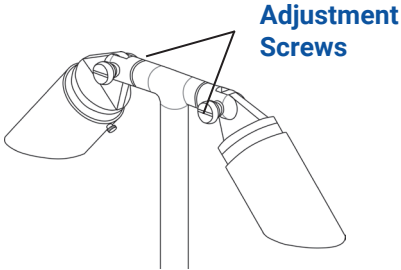


Clear away area in ground at wireway slot in top of stake. Align the wireway slots on base and stake. Lay luminaire pigtail into wireway slots and screw fixture into stake. Tighten until snug to secure base.

6 WIRE CONNECTIONS



Strip two leads from luminaire pigtail. Using two wire connectors (not provided), connect leads from luminaire to main supply cable leads.

7 ADJUST ANGLE OF LAMP

By using screwdrivers, loosen adjustment screws and adjust lamps to your desired angles and then tighten adjustment screws.

INSTALL REPLACE LAMP

Unscrew screws on glare guards and remove glare guards and shields to expose the lamp and replace it with correct wattage and type marked on fixture label. And then reinstall shields and glare guards and tighten with screws.

IMPORTANT: Halogen lamps must be protected from moisture and dust at all times. Always re-install shields and glare guards when moved.



1-813-978-3700 • Mon-Fri 8am-8pm • Sat-Sun 10am - 6pm (EST)

Specifications and product details subject to change without notice.
© Copyright 2023, VOLT® Lighting, Lutz FL USA 33549 • All rights reserved.
customersupport@voltlighting.com • www.voltlighting.com