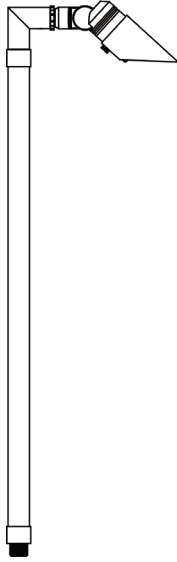


VOLT®



INSTALLATION INSTRUCTIONS

VOLT® LOW VOLTAGE LANDSCAPE LIGHTING

VOLT® Top Dog Scotty Mini Innovator Brass Path & Area Light
ITEM: VPL-398

1-813-978-3700 • Mon-Fri 8am-8pm • Sat-Sun 10am - 6pm (EST)

**IMPORTANT: PLEASE READ BEFORE INSTALLATION**

This luminaire is intended for installation in accordance with local codes and the National Electric Code (NEC). Failure to adhere to these codes and instructions may result in serious injury, property damage and void the warranty.

These instructions do not intend to cover all variations in installation, operation maintenance or mounting situation.

1. Make sure that the power is turned OFF before installing or servicing this luminaire.
2. **WARNING:** risk of electrical shock. Install all luminaires 10 feet (3.05M) or more from pool, spa or fountain.
3. This luminaire is intended to be used only with a power supply (transformer) rated maximum of 300 watts (25 AMPS) at 15 volts.
4. Wiring connections must be made with wire connectors that is suitable for outdoor use.
5. Position the low voltage wire and wire connector so that it is located within 6 inches (15.2 cm) from a building structure, a luminaire or fitting.
6. The main low voltage cable is intended for shallow burial - less than 6 inches (152 mm)
7. If additional lengths of low voltage cable is required, please contact www.voltlighting.com or call 1-813-978-3700.
8. If additional lengths of low voltage cable is required, please contact www.voltlighting.com or call 1-813-978-3700.

**IMPORTANT SAFETY INSTRUCTIONS****INSTRUCTIONS PERTAINING TO A RISK OF FIRE, OR INJURY TO PERSONS**
Lighted lamp is HOT!

WARNING – To reduce the risk of FIRE OR INJURY TO PERSONS.

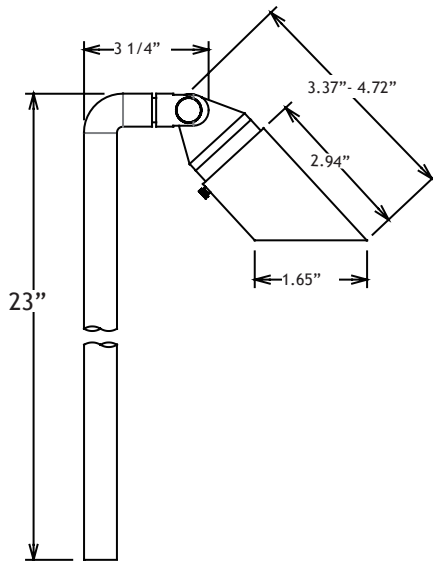
1. Turn off/unplug and allow to cool before replacing lamp.
2. Lamp gets HOT quickly! Contact only switch/plug when turning on.
3. Do not touch the hot lens, guard or enclosure.
4. Keep lamp away from materials that may burn.
5. Do not touch lamp at any time. Use a soft cloth. Oil from skin may damage lamp.
6. Do not operate the luminaire fitting with a missing or damage shield.

SAVE THESE INSTRUCTIONS

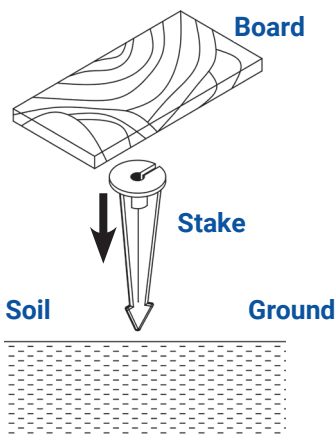
PACKAGE CONTENTS

A. (1) Fixture Body

PRODUCT DIMENSIONS

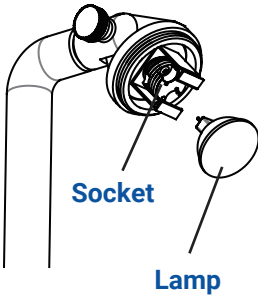


1 INSTALL STAKE



Determine the desired location for mounting the stake mount. Hammer the stake into the ground until flange of stake is flush to grade. To avoid damage to the stake, place a board on top of the stake while hammering.

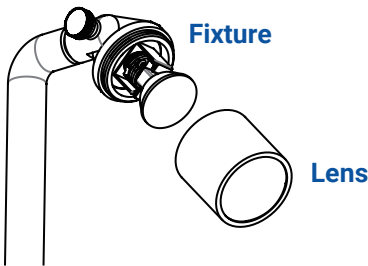
Note: If the ground is hard and the stake is difficult to install, make a crosscut in the ground using a flat shovel.

2 INSTALL LAMP

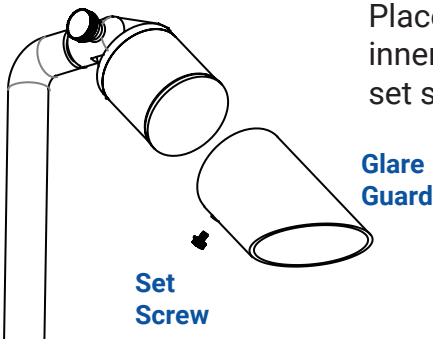
Insert the lamp (sold separately), with the correct wattage and type as marked on the luminaire label.

CAUTION: Do not exceed maximum wattage marked on luminaire label.

NOTE: DO NOT TOUCH halogen lamp with bare hands. Use soft cloth to handle lamp. Not for use with the VOLT[®] LED Bi-Pin Lamp.

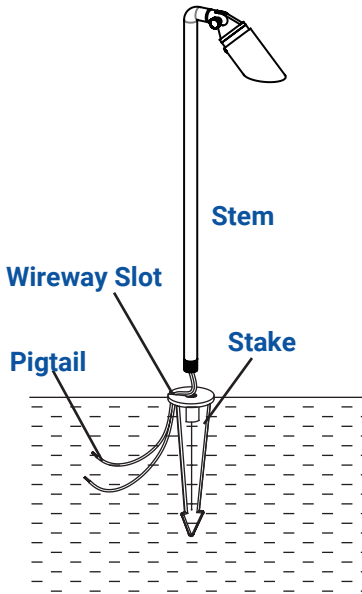
3 Install Lens

Screw the lens onto the luminaire and hand tighten until snug.

4 Install Glare Guard

Place the glare shield over the inner shield and secure with the set screw.

5 Install Luminaire to Stake



Clear away an area in the ground at the wireway slot on top of the stake. Lay the luminaire pigtail into the wireway slot and screw the stem onto the stake.

If the assembly does not look straight, adjust by pushing or pulling on the stake only.

Use a bubble level against the side of the stem to ensure the stem is perpendicular to the ground.



1-813-978-3700 • Mon-Fri 8am-8pm • Sat-Sun 10am - 6pm (EST)

Specifications and product details subject to change without notice.
© Copyright 2023, VOLT® Lighting, Lutz FL USA 33549 • All rights reserved.
customersupport@voltlighting.com • www.voltlighting.com