

INSTALLATION INSTRUCTIONS



VOLT® Solar Landscape Lighting
VOLT® Solar Spotlight with Motion Sensor
VSAL-9003-BBZ

Help Hotline:

1-813-978-3700 • Mon-Fri 8am-8pm • Sat-Sun 10am - 6pm (EST)

Specifications and product details subject to change without notice.
© Copyright 2020, VOLT® Lighting, Lutz FL USA 33549 • All rights reserved.
customersupport@voltlighting.com • 813.978.3700



! Important: Please Read Before Installation

This luminaire is intended for installation in accordance with local codes and the National Electric Code (NEC). Failure to adhere to these codes and instructions may result in serious injury, property damage and void the warranty.

These instructions do not intend to cover all variations in installation, operation maintenance or mounting situations.

! IMPORTANT SAFETY INSTRUCTIONS

INSTRUCTIONS PERTAINING TO A RISK OF FIRE, OR INJURY TO PERSONS

Lighted lamp is HOT!

WARNING - To reduce the risk of FIRE OR INJURY TO PERSONS.

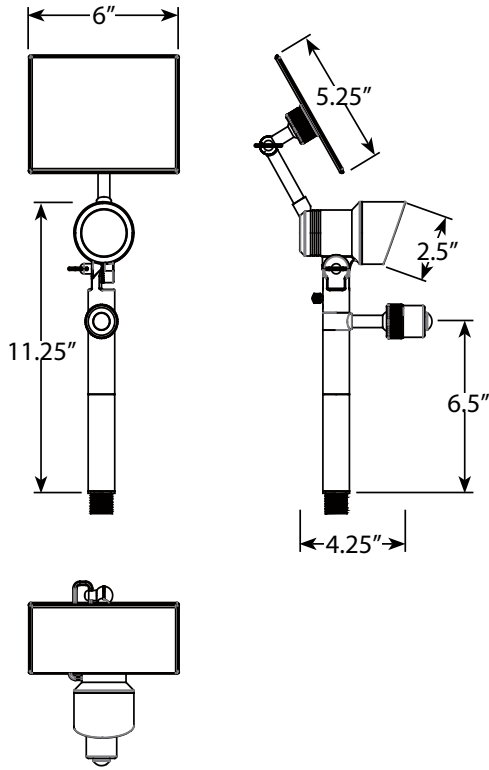
1. Lamp gets HOT quickly!
2. Do not touch the hot lens, guard or enclosure.
3. Keep lamp away from materials that may burn.
4. Do not touch lamp at any time. Use a soft cloth. Oil from skin may damage lamp.
5. Do not operate the luminaire fitting with a missing or damaged shield.

SAVE THESE INSTRUCTIONS

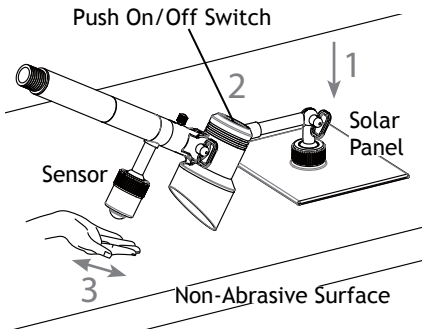
Package Contents

- A. (1) Fixture

Product Dimensions



1 Test Solar Light

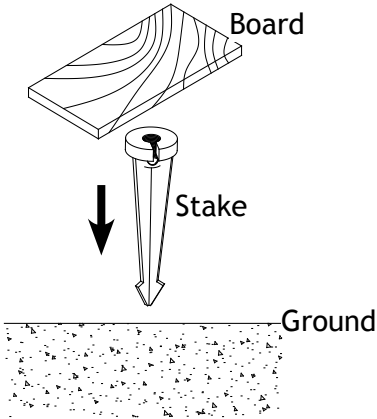


Place the solar light on a non-abrasive surface with the solar panel face down. Press the ON/OFF switch on the back of the fixture body. Wave your hand in front of the sensor to test the fixture.

Now you can proceed to the next steps of installation.



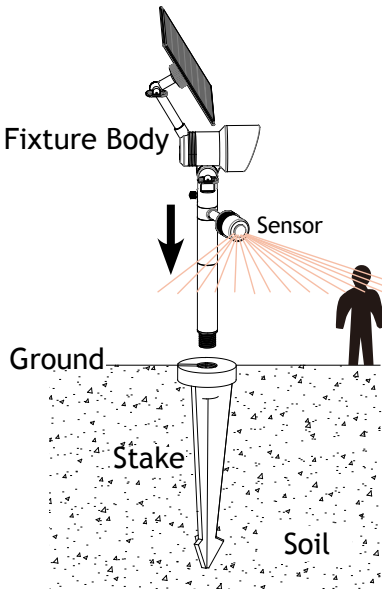
2 Install Stake



Determine the desired location for mounting the stake mount. Hammer the stake into the ground until flange of stake is flush to grade. To avoid damage to the stake, place a board on top of the stake while hammering.

Note: If the ground is hard and the stake is difficult to install, make a crosscut in the ground using a flat shovel.

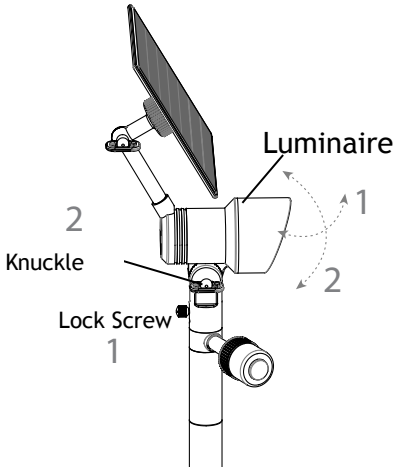
3 Install Fixture Body to Stake



Thread the fixture body on to the stake. Hand tighten until snug. Make sure the sensor is facing the desired area to be monitored during installation.

NOTE: The light will illuminate for 15 seconds after the sensor trips. The sensor distance is 23ft with 1200 detection angle.

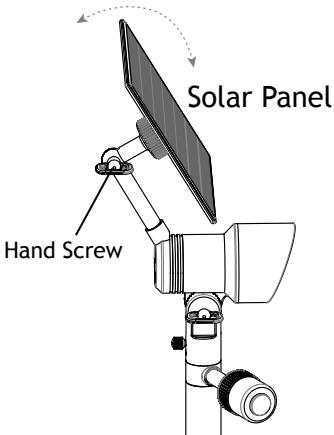
4 Adjust Luminaire Direction



Adjust the sensor by using the lock screw.

Adjust the luminaire angle by using the knuckle.

5 Adjust Solar Panel Direction

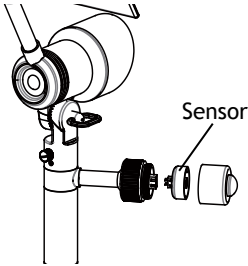


Adjust the solar panel piece forward and backwards by using the hand screw.

You can also take the solar panel piece itself and rotate it in any direction you need to face the sun.



Replace Sensor



If necessary, remove the cover to replace the sensor. Always install the cover back to protect the sensor.



www.voltlighting.com

Specifications and product details subject to change without notice.

© Copyright 2020, VOLT® Lighting, Lutz FL USA 33549 • All rights reserved. customersupport@voltlighting.com • 813.978.3700