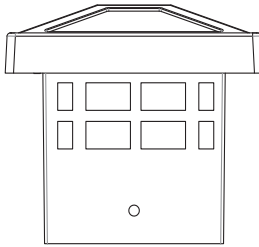
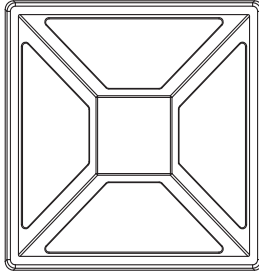


VOLT®



INSTALLATION INSTRUCTIONS

VOLT® LOW VOLTAGE LANDSCAPE LIGHTING

VOLT® G2 Solar Integrated LED Post- Top Light

ITEM: VSPL-1046

 **IMPORTANT: PLEASE READ BEFORE INSTALLATION**

This luminaire is intended for installation in accordance with local codes and the National Electric Code (NEC). Failure to adhere to these codes and instructions may result in serious injury, property damage and void the warranty.

These instructions do not intend to cover all variations in installation, operation maintenance or mounting situations.

Please note that these solar fixtures are equipped with built-in photocells, so they will not turn on until it is dark enough. These fixtures will also require plenty of sunlight to function properly. It's best to have the fixture in an area where the sun will get to it at all times throughout the day and where no ambient lighting will affect the photocell at night. If your fixture is not functioning at night, be sure that the on/off button has been engaged. See step one for details.

 **IMPORTANT SAFETY INSTRUCTIONS****INSTRUCTIONS PERTAINING TO A RISK OF FIRE, OR INJURY TO PERSONS****Lighted lamp is HOT!**

WARNING – To reduce the risk of FIRE OR INJURY TO PERSONS.

1. Lamp gets HOT quickly!
2. Do not touch the hot lens, guard or enclosure.
3. Keep lamp away from materials that may burn.
4. Do not touch lamp at any time. Use a soft cloth. Oil from skin may damage lamp.
5. Do not operate the luminaire fitting with a missing or damaged shield.

SAVE THESE INSTRUCTIONS

813.978.3700 • customersupport@voltlighting.com • www.voltlighting.com

PACKAGE CONTENTS

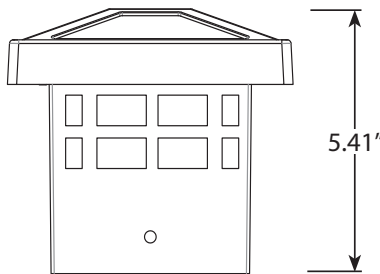
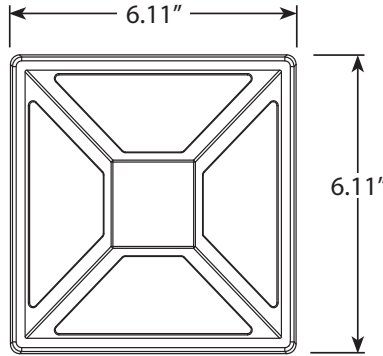
A. (1) Fixture Body

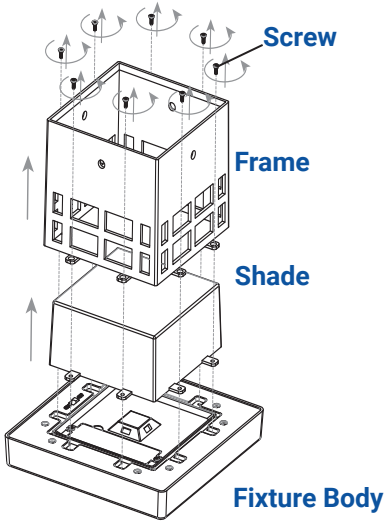
B. (1) Battery

C. (4) Anchors

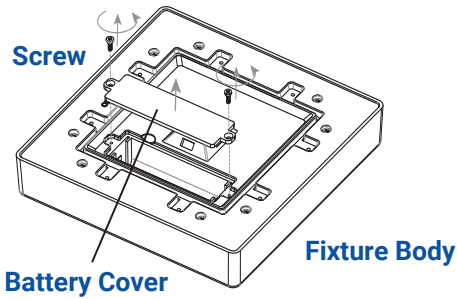
D. (4) Screws

PRODUCT DIMENSIONS



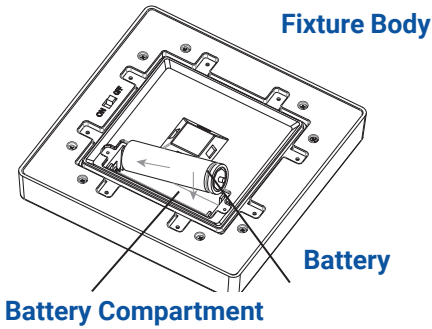
1 REMOVE FRAME AND SHADE

Place the fixture body onto a flat working surface with the bottom facing up. Using a screwdriver, remove the screws from the fixture body.

2 REMOVE BATTERY COVER

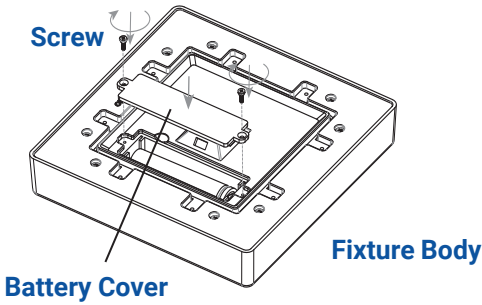
Remove the battery cover.

3 Install Battery



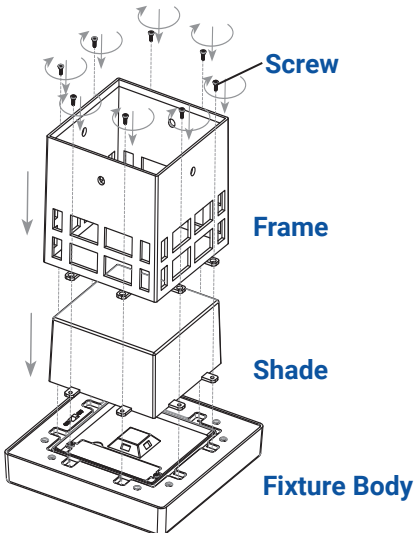
Insert the battery into the battery compartment.

4 Install Battery Cover



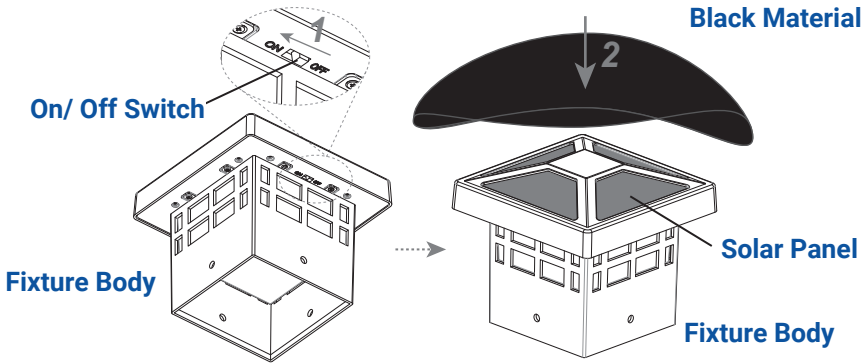
Place the battery cover back onto the fixture body and secure with previously removed screws.

5 Install Shade and Frame



Place the shade and the frame back onto the fixture. Secure them together with previously removed screws.

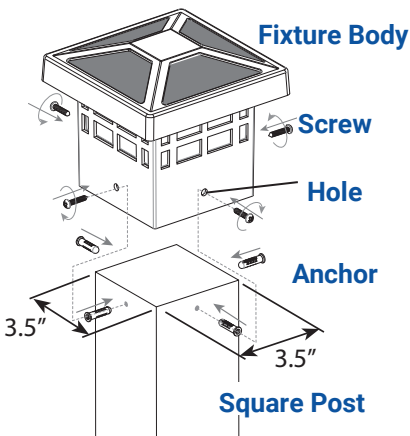
6 TEST SOLAR LIGHT



Slide the ON/OFF switch on the fixture body to “ON”. Cover solar panels completely by using a dark material. The fixture will light up when the solar panel is covered and turn off when it is uncovered.

Now you can proceed to the next steps of installation with the fixture ON.

7 INSTALL FIXTURE BODY TO POST



1. Attach the fixture body onto one 3.5" x 3.5" square post and mark four points on the post using the holes on the frame.
2. Remove the fixture body from the post and drill 1/4" holes on the marks.
3. Insert anchors into the drilled holes.
4. Place the fixture body back onto the post and secure with screws.



1-813-978-3700 • Mon-Fri 8am-8pm • Sat-Sun 10am - 6pm (EST)

Specifications and product details subject to change without notice.
© Copyright 2023, VOLT® Lighting, Lutz FL USA 33549 • All rights reserved.
customersupport@voltlighting.com • www.voltlighting.com