

# INSTALLATION INSTRUCTIONS



VOLT® Low Voltage Landscape Lighting  
VOLT® Articulator Cast Brass Integrated LED In-Ground  
Well Light  
VWL-510 Series

## Help Hotline:

1-813-978-3700 • Mon-Fri 8am-8pm • Sat-Sun 10am - 6pm (EST)

Specifications and product details subject to change without notice.  
© Copyright 2017, VOLT® Lighting, Lutz FL USA 33549 • All rights reserved.  
customersupport@voltlighting.com • 813.978.3700

## INSTALLATION INSTRUCTIONS



VOLT® Articulator Cast Brass Integrated LED In-Ground  
Well Light  
WWL-510 Series

### **Important Safety Instructions: Read Before Installation**

This luminaire is intended for installation in accordance with local codes and the National Electric Code (NEC). Failure to adhere to these codes and instructions may result in serious injury, property damage and void the warranty.

These instructions do not intend to cover all variations in installation, operation maintenance or mounting situation.

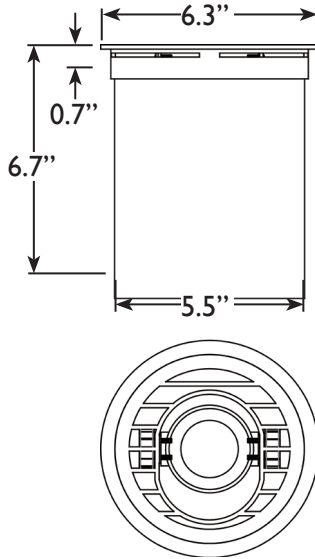
1. Make sure that the power is turned OFF before installing or servicing this luminaire.
2. Warning: risk of electrical shock. Install all luminaires 10 feet (3.05M) or more from pool, spa or fountain.
3. This luminaire is intended to be used only with a power supply (transformer) rated maximum of 300 watts (25 AMPS) at 15 volts.
4. Wiring connections must be made with wire connectors that is suitable for outdoor use.
5. Position the low voltage wire and wire connector so that it is located within 6 inches (15.2 cm) from a building structure, a luminaire, or fitting.
6. The main low voltage cable is intended for shallow burial - less than 6 inches (152 mm)
7. If additional lengths of low voltage cable is required, please contact [www.voltlighting.com](http://www.voltlighting.com) or call 1-813-978-3700.

**SAVE THESE INSTRUCTIONS**

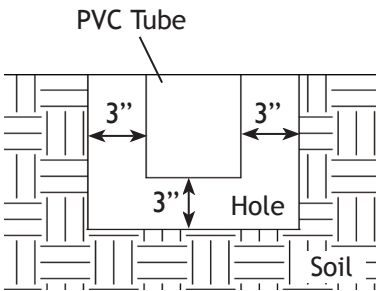
## Package Contents

- A. (1) Luminaire
- B. (1) PVC Tube

## Product Dimensions



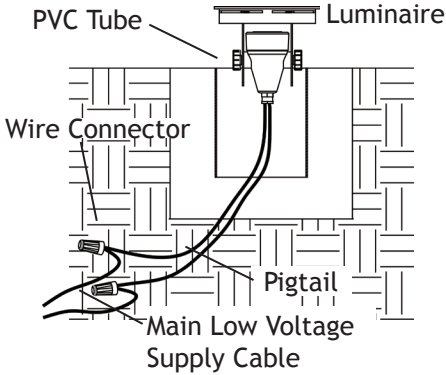
## 1 Dig Hole



Dig a hole in the ground. Make sure there are approximately 3" spaces surrounding the PVC tube for pea gravel or sand.



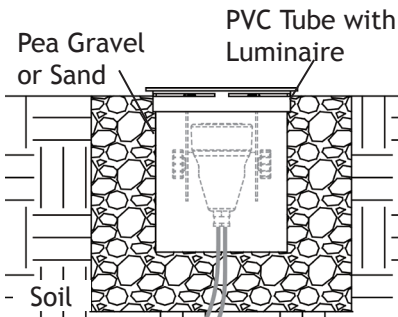
## 2 Wire Connection



Place the luminaire into the PVC tube. Pass the luminaire pigtail through the PVC tube.

Strip both of the leads from the luminaire pigtail. Using two wire connectors (sold separately), connect the leads from the luminaire to the main low voltage supply cable leads.

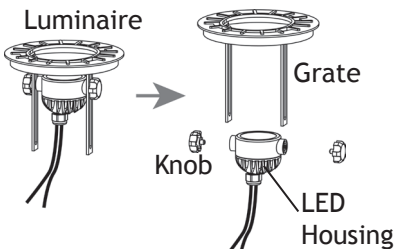
## 3 Fill Pea Gravel or Sand



Install the PVC tube with the luminaire in the hole and fill the hole with pea gravel or sand.

## Adjust Position of Light and Change Optics

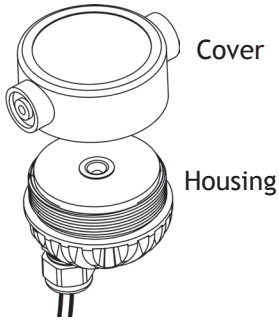
### 4 Remove Housing



To Adjust Position of Light:  
Loosen the knobs. Adjust the LED housing to desired position. Tighten the knobs, and place the luminaire back into the PVC tube.

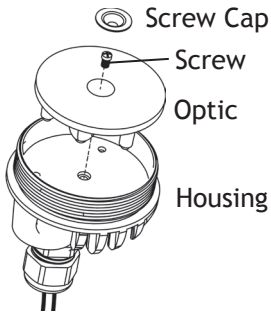
To Change Optics:  
Loosen the knobs and remove the LED housing from the holder.

## 5 Remove Cover



Unscrew the cover and remove it from the housing.

## 6 Replace Optic



Remove the screw cap at the center of the optic. Unscrew the screw and remove the optic from the luminaire.

Put a new optic into the luminaire. Reverse steps 4 through 6 to reinstall removed parts.



**Help Hotline:**

**1-813-978-3700 • Mon-Fri 8am-8pm • Sat-Sun 10am - 6pm (EST)**

[www.voltlighting.com](http://www.voltlighting.com)

Specifications and product details subject to change without notice.  
© Copyright 2017, VOLT® Lighting, Lutz FL USA 33549 • All rights reserved.  
[customersupport@voltlighting.com](mailto:customersupport@voltlighting.com) • 813.978.3700

is-vwl-51023-ver3.pdf