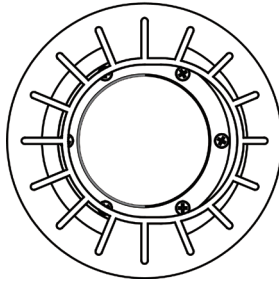
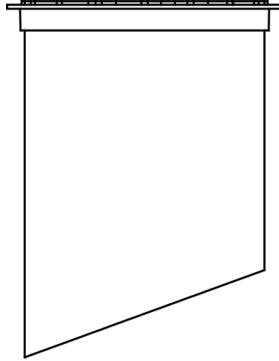


# VOLT®



## **INSTALLATION INSTRUCTIONS**

### **VOLT® LOW VOLTAGE LANDSCAPE LIGHTING**

VOLT® Salty Dog MR16 Well Light

**ITEM: VWL-705**

1-813-978-3700 • Mon-Fri 8am-8pm • Sat-Sun 10am - 6pm (EST)

 **IMPORTANT: PLEASE READ BEFORE INSTALLATION**

This luminaire is intended for installation in accordance with local codes and the National Electric Code (NEC). Failure to adhere to these codes and instructions may result in serious injury, property damage and void the warranty.

These instructions do not intend to cover all variations in installation, operation maintenance or mounting situations.

1. Make sure that the power is turned OFF before installing or servicing this luminaire.
2. **WARNING:** risk of electrical shock. Install all luminaires 10 feet (3.05M) or more from pool, spa or fountain.
3. This luminaire is intended to be used only with a power supply (transformer) rated maximum of 300 watts (25 AMPS) at 15 volts.
4. Wiring connections must be made with UL listed wire connectors that are suitable for outdoor use.
5. Position the low voltage wire and wire connector so that it is located within 6 inches (15.2 cm) from a building structure, a luminaire or fitting.
6. The main low voltage cable is intended for shallow burial - less than 6 inches (152 mm).

 **IMPORTANT SAFETY INSTRUCTIONS****INSTRUCTIONS PERTAINING TO A RISK OF FIRE, OR INJURY TO PERSONS**  
**LIGHTED LAMP IS HOT!**

**WARNING** – To reduce the risk of FIRE OR INJURY TO PERSONS.

1. Turn off/unplug and allow to cool before reducing lamp.
2. Lamp gets HOT quickly!
3. Do not touch the hot lens, guard or cowl.
4. Keep lamp away from materials that may burn.
5. Do not touch lamp at any time.
6. Use a soft cloth.
7. Oil from skin may damage lamp.
8. Do not operate the fixture with a damaged or missing lens or shield.

## PACKAGE CONTENTS

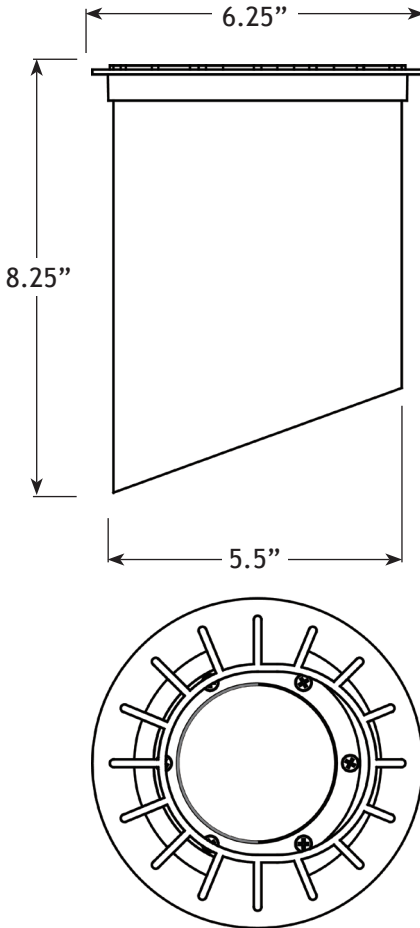
A. (1) Fixture

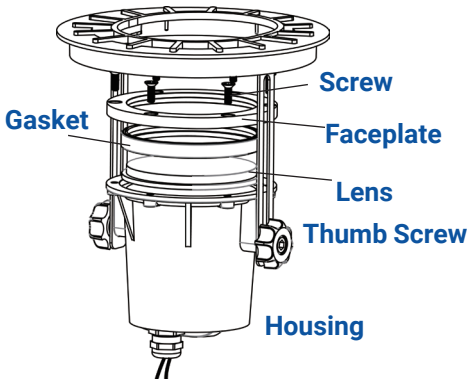
B. (1) PVC Tube

## Parts Required (sold separately)

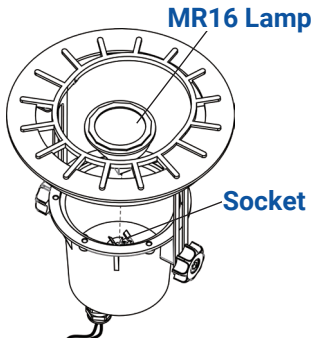
A. (1) MR16 Lamp

## PRODUCT DIMENSIONS



**1 Remove Faceplate and Lens**

Loosen the thumb screws and slide the housing down to the end of the bars. Unscrew the screws and remove the faceplate, gasket, and lens from the housing.

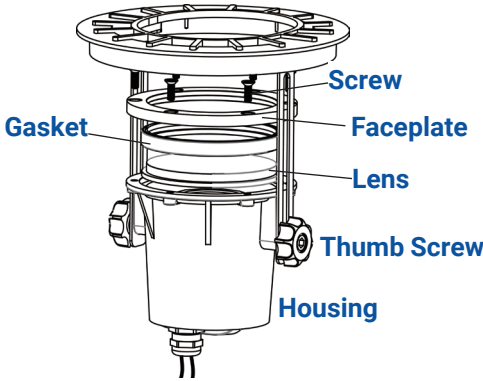
**2 Install Lamp**

Insert the lamp with the correct wattage and type marked on the fixture label.

**CAUTION:** Do not exceed maximum wattage marked on luminaire label.

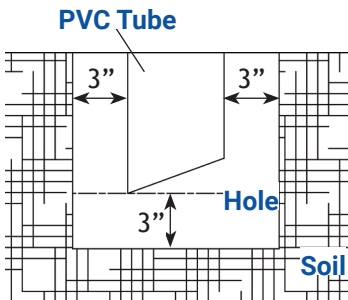
**NOTE:** DO NOT touch lamp with bare hands. Use soft cloth to handle lamp.

### 3 Install Lamp



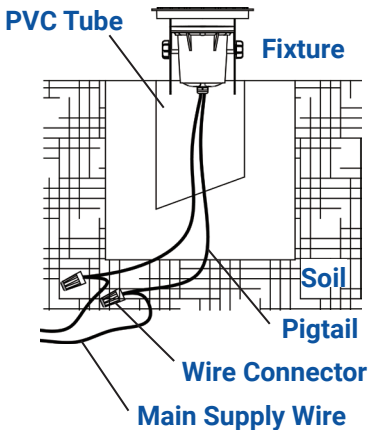
Place the lens, gasket and faceplate back onto the housing. Secure them with the screws previously removed. Hand tighten until snug, then use a screwdriver to secure the screws using a star pattern. Adjust housing to your desired height and angle, then secure it in place with the thumb screws.

### 4 Dig Hole



Dig a hole in the ground making sure there is approximately 3 inches of room on all sides surrounding the PVC tube for pea gravel or sand.

### 5 Wire Connection

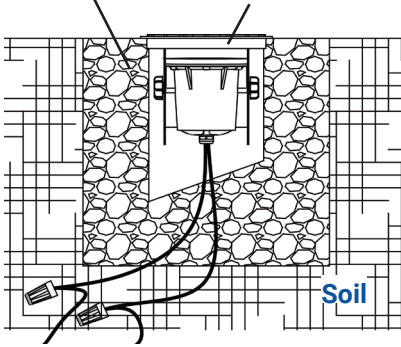


Place the fixture onto the PVC Tube. Pass the luminaire pigtail through the PVC tube.

Strip both leads from the luminaire pigtail. Using two wire connectors (sold separately), connect the leads from the luminaire to main supply cable leads.

**6 Fill Pea Gravel or Sand**

Pea Gravel or Sand    PVC Tube with Fixture



Install the PVC tube with fixture in the hole and fill the extra space with pea gravel or sand for proper water drainage.





1-813-978-3700 • Mon-Fri 8am-8pm • Sat-Sun 10am - 6pm (EST)

Specifications and product details subject to change without notice.  
© Copyright 2023, VOLT® Lighting, Lutz FL USA 33549 • All rights reserved.  
[customersupport@voltlighting.com](mailto:customersupport@voltlighting.com) • [www.voltlighting.com](http://www.voltlighting.com)