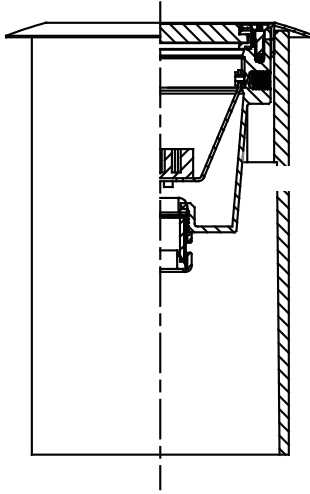


VOLT®



INSTALLATION INSTRUCTIONS

VOLT® LOW VOLTAGE LANDSCAPE LIGHTING

VOLT® Salty Dog MR11 Well Light
ITEM: VWL-7121

1-813-978-3700 • Mon-Fri 8am-8pm • Sat-Sun 10am - 6pm (EST)

**IMPORTANT: PLEASE READ BEFORE INSTALLATION**

This fixture is intended for installation in accordance with local codes and the National Electric Code (NEC). Failure to adhere to these codes and instructions may result in serious injury, property damage and void the warranty.

These instructions do not intend to cover all variations in installation, operation maintenance or mounting situations.

1. Make sure that the power is turned OFF before installing or servicing this fixture.
2. Warning: this fixture is not intended to be installed within 10 feet [3 meters] of a pool, spa or fountain.
3. This fixture is intended to be used only with a power supply (transformer) rated maximum of 300 watts (25 AMPS) at 15 volts.
4. Underground Low Energy Cable must not be buried over 6" (15.2 cm) in order to connect to the main low voltage cable.
5. Wiring connections must be made with UL Listed wire connectors that are suitable for the application.
6. Position the wire connector so that it is located within 6 inches (15.2 cm) from a building structure, a luminaire, or fitting.
7. If additional lengths of low voltage cable is required, please call 1-813-978-3700.

**IMPORTANT SAFETY INSTRUCTIONS****INSTRUCTIONS PERTAINING TO A RISK OF FIRE, OR INJURY TO PERSONS****LIGHTED LAMP IS HOT!**

WARNING – To reduce the risk of FIRE OR INJURY TO PERSONS.

1. Turn off/unplug and allow to cool before reducing lamp.
2. Lamp gets HOT quickly!
3. Do not touch the hot lens, guard or cowl.
4. Keep lamp away from materials that may burn.
5. Do not touch lamp at any time.
6. Use a soft cloth.
7. Oil from skin may damage lamp.
8. Do not operate the fixture with a damaged or missing lens or shield.

PACKAGE CONTENTS

A. (1) Fixture Body

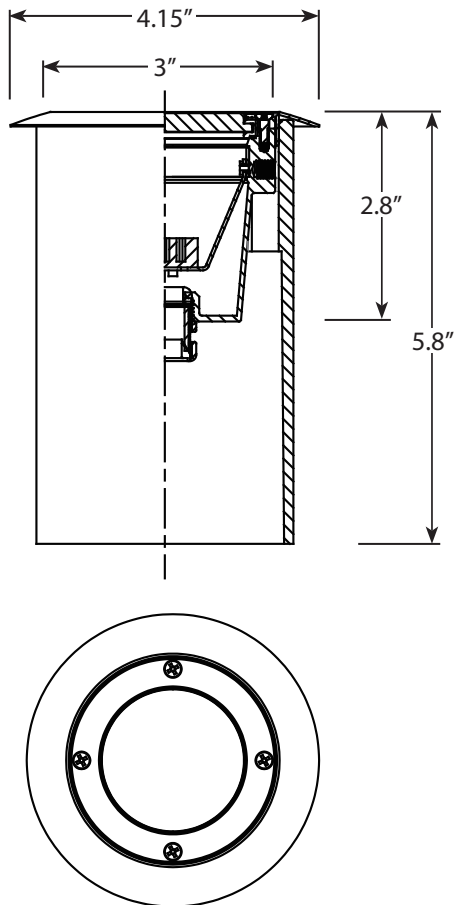
B. (1) Holder

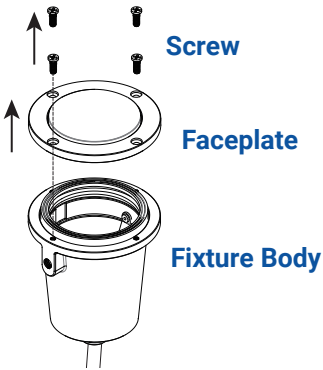
C. (1) PVC tube

PARTS REQUIRED (SOLD SEPARATELY)

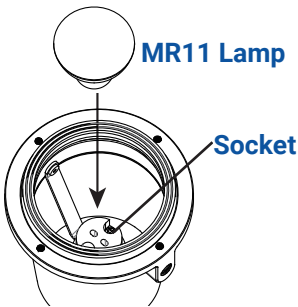
A. (1) MR11 Lamp

PRODUCT DIMENSIONS



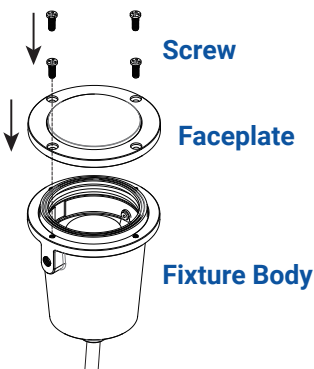
1 REMOVE FACEPLATE

Use a screwdriver to loosen the screws on the faceplate and remove the lens from the fixture body.

2 INSTALL LAMP

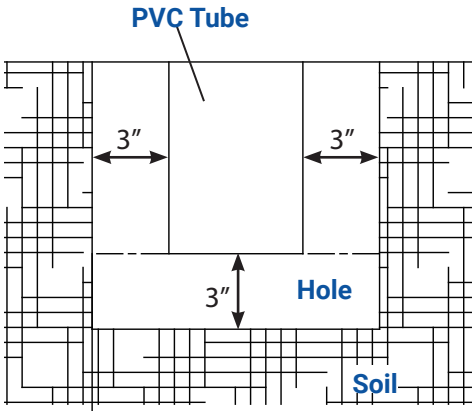
Insert the lamp with the correct wattage and type marked on the fixture label and push firmly into place.

CAUTION: Do not exceed maximum wattage marked on fixture label.

3 INSTALL FACEPLATE

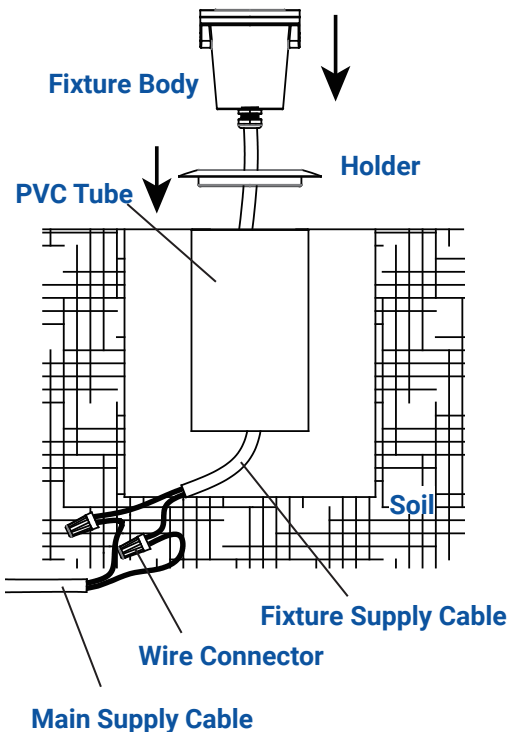
Place the lens and the faceplate back onto the fixture body and secure the removed screws in a star pattern using a screwdriver. Tighten until snug.

4 DIG HOLE



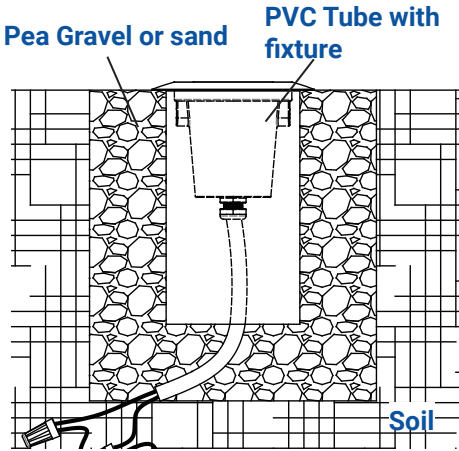
Prepare a hole in the ground. Make sure there are approximately 3" spaces surrounding the PVC tube for pea gravel or sand.

5 WIRE CONNECTION



Pass the fixture supply cable through the holder and the PVC tube. Place the holder onto the PVC tube, then place the fixture body into the holder properly.

Strip both leads from the fixture supply cable and the main supply cable. Using two wire connectors (sold separately), connect the leads from the fixture supply cable to the main supply cable.

6 FILL HOLE

Install the PVC tube with the fixture in the hole and fill the hole with pea gravel or sand.

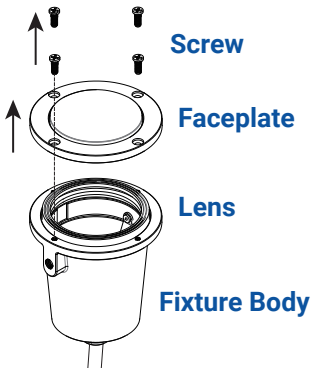
INSTALL/ REPLACE LAMP

Repeat step 1 - step 3 to remove the faceplate to expose the lamp and replace it with the correct wattage and type marked on the fixture label. Then, reinstall the faceplate.

IMPORTANT: Lamps must be protected from moisture and dust at all times. Always reinstall the faceplate when removed.

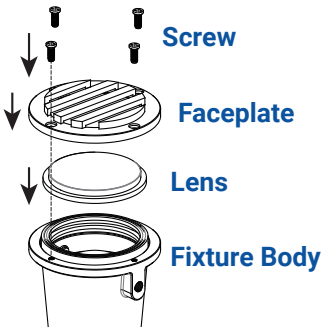
Install/Replace Faceplate

7 REMOVE FACEPLATE



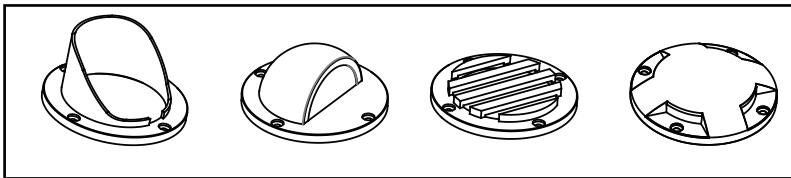
Use a screwdriver to loosen the screws on the faceplate and remove the lens from the fixture body.

8 REPLACE FACEPLATE



Place the lens and faceplate onto the fixture body and secure with previously removed screws in a star pattern. Hand tighten until snug with a screwdriver.

Faceplate Replacement Options





1-813-978-3700 • Mon-Fri 8am-8pm • Sat-Sun 10am - 6pm (EST)

Specifications and product details subject to change without notice.
© Copyright 2023, VOLT® Lighting, Lutz FL USA 33549 • All rights reserved.
customersupport@voltlighting.com • www.voltlighting.com