

INSTALLATION INSTRUCTIONS



VOLT® Low Voltage Landscape Lighting Well Light

Help Hotline:

1-813-978-3700 • Mon-Fri 8am-8pm • Sat-Sun 10am - 6pm (EST)



! Important: Please Read Before Installation

This luminaire is intended for installation in accordance with local codes and the National Electric Code (NEC). Failure to adhere to these codes and instructions may result in serious injury, property damage and void the warranty.

These instructions do not intend to cover all variations in installation, operation maintenance or mounting situation.

1. Make sure that the power is turned OFF before installing or servicing this luminaire.
2. **WARNING:** risk of electrical shock. Install all luminaires 10 feet (3.05M) or more from pool, spa or fountain.
3. This luminaire is intended to be used only with a power supply (transformer) rated maximum of 300 watts (25 AMPS) at 15 volts.
4. Wiring connections must be made with wire connectors that is suitable for outdoor use.
5. Position the low voltage wire and wire connector so that it is located within 6 inches (15.2 cm) from a building structure, a luminaire or fitting.
6. The main low voltage cable is intended for shallow burial - less than 6 inches (152 mm)
7. If additional lengths of low voltage cable is required, please contact www.voltlighting.com or call 1-813-978-3700.

! IMPORTANT SAFETY INFORMATION

**INSTRUCTIONS PERTAINING TO A RISK OF FIRE, OR INJURY TO PERSONS
Lighted lamp is HOT!**

WARNING - To reduce the risk of FIRE OR INJURY TO PERSONS.

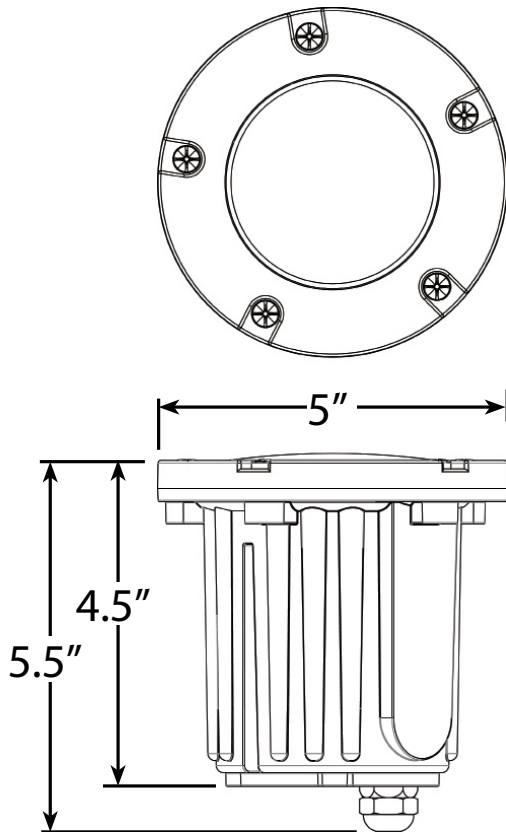
1. Turn off/unplug and allow to cool before replacing lamp.
2. Lamp gets HOT quickly! Contact only switch/plug when turning on.
3. Do not touch the hot lens, guard or enclosure.
4. Keep lamp away from materials that may burn.
5. Do not touch lamp at any time. Use a soft cloth. Oil from skin may damage lamp.
6. Do not operate the luminaire fitting with a missing or damage shield.

SAVE THESE INSTRUCTIONS

Package Contents

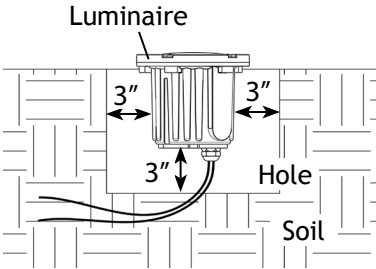
- A. (1) Well Light
- B. (1) MR16

Product Dimensions



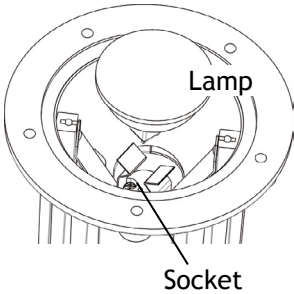


1 Dig Hole



Dig hole in the ground. Make sure there is approximately 3" space surrounding the luminaire housing for pea gravel or sand.

2 Install Lamp

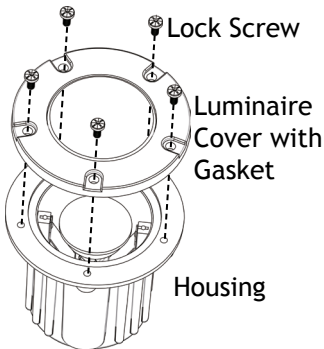


Insert MR16 lamp with correct wattage and type as marked on luminaire label.

CAUTION: Do not exceed maximum wattage marked on luminaire label.

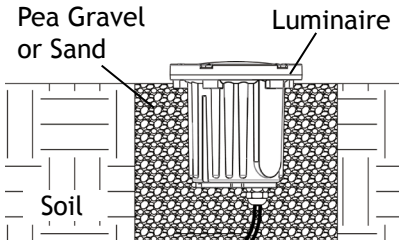
NOTE: DO NOT touch lamp with bare hands. Use soft cloth to handle lamp.

3 Install Luminaire Cover with Gasket



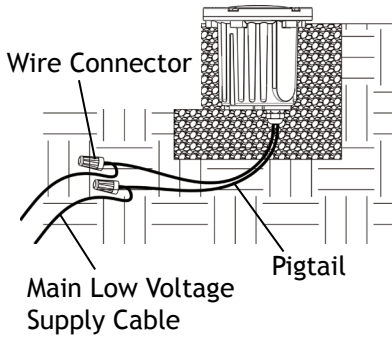
Place luminaire cover with gasket onto housing and secure with lock screws.

4 Fill Pea Gravel or Sand



Install the luminaire in hole.

5 Wire Connection



Strip both leads from luminaire pigtail. Using two wire connectors, (sold separately), connect leads from luminaire to main low voltage supply cable leads. Fill hole with pea gravel.

Install/Replace Lamp

Please reverse Step 3- Step 2 to expose the bulb and replace it with correct wattage and type marked on luminaire label. Reinstall luminaire cover.

IMPORTANT: Halogen lamps must be protected from moisture and dust at all times. Always re-install luminaire cover when removed.



Help Hotline:

1-813-978-3700 • Mon-Fri 8am-8pm • Sat-Sun 10am - 6pm (EST)

www.voltlighting.com

Specifications and product details subject to change without notice.
© Copyright 2022, VOLT® Lighting, Lutz FL USA 33549 • All rights reserved.
customersupport@voltlighting.com • 813.978.3700

is-well1-ver1.pdf