

PRODUCT SPECIFICATIONS

AMP®

Project Name _____ Date _____

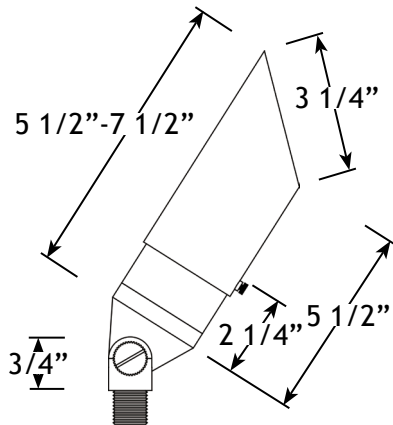
Type or Model _____ Qty _____

AMP® Low Voltage Landscape Lighting AMP® VariantPro™ Spotlight

Product Description

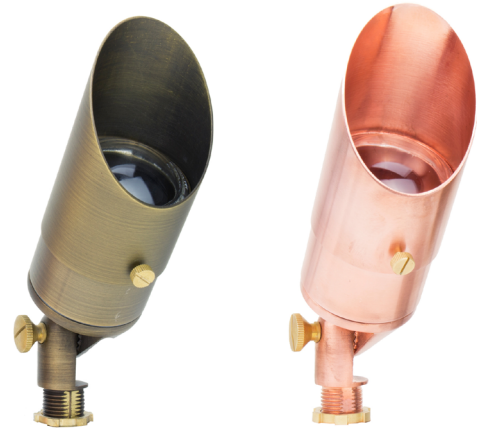
The AMP® VariantPro features a fully adjustable glare guard and knuckle; making it perfect for almost any uplighting application. The adjustable glare guard allows you to fine tune your landscape lighting effects. This fixture is compatible with almost any halogen or LED MR16 bulb; which allows you to create broad beam spread flood effects, narrow spread spot light effects and almost any effect in between. The superior light control offered by our VariantPro gives you complete mastery over your lighting effects; ensuring you only have light where you want it. This luminaire has a silicone plug where the lead wires exit to prevent pests and humidity from entering the fixture, is made of solid cast brass, and comes with AMP's Lifetime Warranty.

Product Dimensions



Features & Benefits

- ▶ Solid Brass Construction.
- ▶ Pre-aged finish; no powder coating—just a natural patina that does not corrode.
- ▶ Beryllium copper socket - more corrosion resistant than copper.
- ▶ Silicone plug at lead wire exit prevents ground moisture and insects from entering luminaire through the stem.
- ▶ Water Tight Double Silicone O-Ring - keeps water from entering luminaire.
- ▶ Extra-long (1-inch) strip resistant threading and solid brass locknut provide superior mounting stability.
- ▶ Heavy duty adjustable knuckle and adjustable glare guard allows light to be positioned.



Specifications

- ▶ **Construction:** Brass
- ▶ **Finish:** Bronze or Copper Finish
- ▶ **Lead Wire:** 16 AWG
- ▶ **Mounting:** 10" Hammer® Stake with cutout for wire exit
- ▶ **Lens:** Clear Convex Glass
- ▶ **Light Source (not included):** MR16 (LED or Halogen)
- ▶ **Operating Voltage:** 12VAC
- ▶ **Powered by:** AMP's Low Voltage Transformer

Warranty

Lifetime Warranty

Certifications

