

## PRODUCT SPECIFICATIONS

# AMP®

Project Name \_\_\_\_\_ Date \_\_\_\_\_

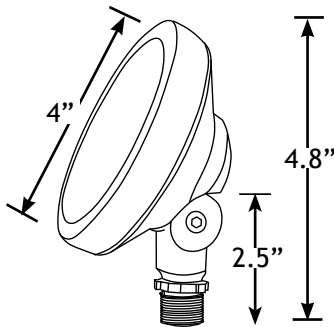
Type or Model \_\_\_\_\_ Qty \_\_\_\_\_

## AMP® Low Voltage Landscape Lighting EquaPro™ - AAL-1014-4-B-BZ

### Product Description

The AMP® EquaPro™ is great for subtle flood lighting. Its round shape provides a smooth transition of light that produces wide, even coverage. This fixture produces less light than that of a larger flood, but gives a wide spread, gentle lighting effect. The EquaPro's small size makes it a great option for most applications, especially for residential applications. It's easy to conceal and great for accenting; making it the perfect fixture for almost any application that requires soft flood lighting.

### Product Dimensions



### Features & Benefits

- ▶ Solid Brass Construction.
- ▶ Pre-aged finish - a natural patina that does not corrode.
- ▶ Adjustable knuckle for aiming the light exactly where you need to.
- ▶ Beryllium copper socket - more corrosion resistant than copper.
- ▶ Silicone plug at lead wire exit prevents ground moisture and insects from entering luminaire through the stem.
- ▶ Machine threaded body screws tight onto an O-ring for a moisture tight design.



### Specifications

- ▶ **Construction:** Brass
- ▶ **Finish:** Bronze
- ▶ **Lead Wire:** 18AWG
- ▶ **Mounting:** 10" Hammer® Stake with cutout for wire exit
- ▶ **Lens:** Frosted lens for spread diffusion
- ▶ **Light Source (not included):** Bipin (LED or Halogen)
- ▶ **Operating Voltage:** 12VAC
- ▶ **Powered by:** AMP's Low Voltage Transformer

### Warranty

Lifetime Warranty

### Certifications

