

PRODUCT SPECIFICATIONS

AMP®

Project Name _____ Date _____

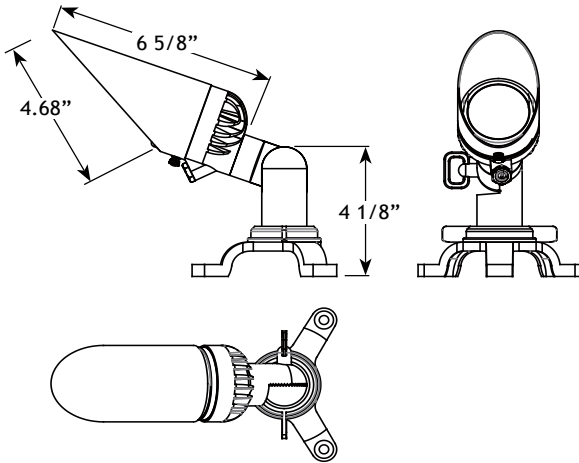
Type or Model _____ Qty _____

AMP® Low Voltage Landscape Lighting ForesterPro LED Downlight- AAL-1015-40-B-BZ

Product Description

The AMP® ForesterPro is a single source integrated LED downlight. It produces crisp shadows and a professional lighting effect. It features a knuckle that allows for precision aiming by use of interlocking teeth. Its knuckle also has a tool-less adjustment knob for easy installation in hard to reach places. The same great tool-less design is utilized on the mount for 360° rotation at the base as well. The tripod style mount allows for solid mounting on almost any surface and its offset design helps to prevent tree overgrowth. Comes with 60° optic pre-installed as well as an additional 35 degree optic in the box. 40' of lead wire prevents the need to splice in the tree and makes for a clean, easy installation.

Product Dimensions



Features & Benefits

- ▶ Solid Brass Construction.
- ▶ Pre-aged finish; no powder coating, paint or finish to wear off or peel—just natural patina that does not corrode.
- ▶ Water wicking lead wire to prevent moisture from entering.
- ▶ Tool-less knuckle, base, and shroud for ease of adjustability while up in the tree. Allows for precision aiming.
- ▶ Includes Tripod mount with offsets for installing on almost any surface, whether it's flat or not.
- ▶ Adjustable knuckle that utilizes interlocking teeth for precision aiming and a strong connection that really locks it in place exactly where it's set.
- ▶ Comes with a 60° optic pre-installed and a 35° optic in the box.



Specifications

- ▶ **Construction:** Brass
- ▶ **Finish:** Bronze
- ▶ **Lead Wire:** 18AWG
- ▶ **Mounting:** Tripod Surface Mount Included
- ▶ **Lens:** Clear Flat Lens
- ▶ **Light Source:** Integrated Single Source LED Board
- ▶ **Operating Voltage:** 12VAC
- ▶ **Powered by:** AMP's Low Voltage Transformer

Warranty

Lifetime Warranty

Certifications

