

## PRODUCT SPECIFICATIONS

# AMP<sup>®</sup>

Project Name \_\_\_\_\_ Date \_\_\_\_\_

Type or Model \_\_\_\_\_ Qty \_\_\_\_\_

## AMP<sup>®</sup> Low Voltage Landscape Lighting PinnaclePro MR16 Spotlight - AAL-1017-4-B-BZ

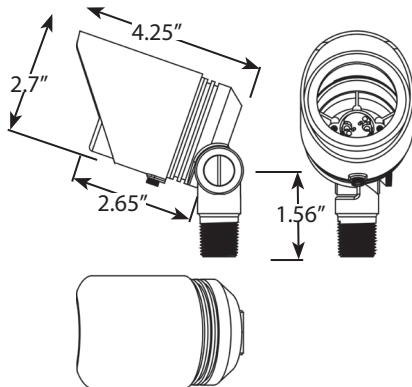
### Product Description

The AMP<sup>®</sup> PinnaclePro MR16 Spotlight features a fully adjustable glare guard and knuckle; making it perfect for almost any uplighting application. The adjustable glare guard allows you to fine tune your landscape lighting effects within the application. This fixture; compatible with almost any halogen or LED MR16 bulb, allows you to create broad beam spread flood effects, narrow spread spot light effects, and almost any effect in between.

With superior light control, the PinnaclePro MR16 Spotlight gives you complete mastery over your lighting effects ensuring you only have light where you want it at. This fixture is shielded, has a silicone plug where the lead wires exit to prevent pests and humidity from entering the fixture, and is made of solid cast brass and comes with AMP's Lifetime Warranty.



### Product Dimensions



### Features & Benefits

- ▶ Solid Cast Brass Construction.
- ▶ Pre-aged finish; just a natural patina that does not corrode.
- ▶ Beryllium copper socket - more corrosion resistant than copper.
- ▶ Silicone plug at lead wire exit prevents ground moisture and insects from entering luminaire through the stem.
- ▶ Water Tight Silicone O-Ring - keeps water from entering luminaire.
- ▶ Extra-long (1-inch) strip resistant threading and solid brass locknut provide superior mounting stability.
- ▶ Heavy duty adjustable knuckle and adjustable glare guard- allows light to be positioned.

### Specifications

- ▶ **Construction:** Brass
- ▶ **Finish:** Bronze or Black
- ▶ **Lead Wire:** 4' (standard) or 25' (optional) 18AWG
- ▶ **Mounting:** 10" Hammer<sup>®</sup> Stake with cutout for wire exit
- ▶ **Lens:** Clear Flat Lens
- ▶ **Light Source (sold separately):** MR16 (LED or Halogen)
- ▶ **Operating Voltage:** 12VAC
- ▶ **Powered by:** AMP's Low Voltage Transformer

### Warranty

Lifetime Warranty

### Certifications

