

## PRODUCT SPECIFICATIONS

# AMP<sup>®</sup>

Project Name \_\_\_\_\_ Date \_\_\_\_\_

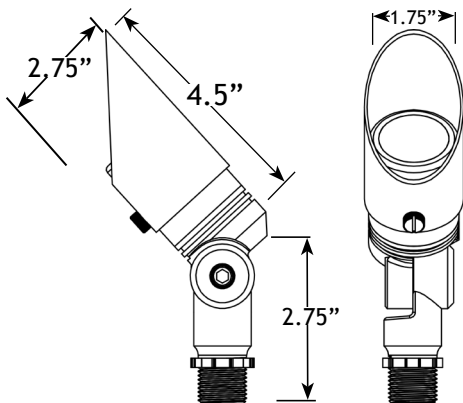
Type or Model \_\_\_\_\_ Qty \_\_\_\_\_

## AMP<sup>®</sup> Low Voltage Landscape Lighting PinnaclePro Mini - AAL-1018-4-X-XX

### Product Description

The AMP<sup>®</sup> PinnaclePro Mini Spotlight is a professional-grade compact and durable landscape lighting directional light perfect for garden lighting and illuminating architectural features. Constructed of solid cast brass, this fixture can withstand almost any physical and environmental abuse. Extremely compact and easy-to-install; this Mini Landscape Lighting Spotlight is small enough to place in garden planters, small garden beds, and other niche areas. A removable and adjustable glare shield allows the installer to precisely control the light so it does not project into the viewers' eyes. The size and controllability of this fixture makes it a perfect choice when a small discrete light source is needed.

### Product Dimensions



### Features & Benefits

- ▶ Solid Brass Construction.
- ▶ Pre-aged finish; no powder coating—just a natural patina that does not corrode.
- ▶ Beryllium copper socket - more corrosion resistant than copper.
- ▶ Silicone plug at lead wire exit prevents ground moisture and insects from entering luminaire through the stem.
- ▶ Water Tight Single Silicone O-Ring - keeps water from entering luminaire.
- ▶ Extra-long (1-inch) strip resistant threading and solid brass locknut provide superior mounting stability.
- ▶ Heavy duty adjustable knuckle and adjustable glare guard allows light to be precision aimed.



### Specifications

- ▶ **Construction:** Brass
- ▶ **Finish:** Bronze or Copper Finish
- ▶ **Lead Wire:** 18 AWG
- ▶ **Mounting:** 10" Hammer<sup>®</sup> Stake with cutout for wire exit
- ▶ **Lens:** Clear Flat Glass
- ▶ **Light Source (sold separately):** MR11 (LED or Halogen)
- ▶ **Operating Voltage:** 12VAC
- ▶ **Powered by:** AMP's Low Voltage Transformer

### Warranty

Lifetime Warranty

### Certifications

