

## PRODUCT SPECIFICATIONS

# AMP<sup>®</sup>

Project Name \_\_\_\_\_ Date \_\_\_\_\_

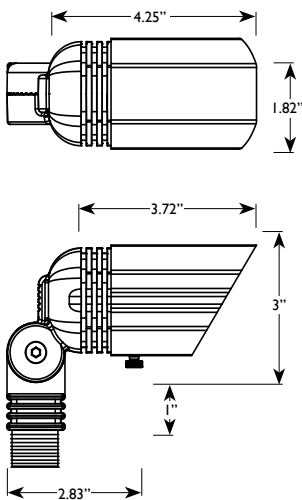
Type or Model \_\_\_\_\_ Qty \_\_\_\_\_

## AMP<sup>®</sup> Low Voltage Landscape Lighting AMP<sup>®</sup> EscherPro<sup>™</sup> MR11 Spotlight (Lamp Ready)

### Product Description

The MR11 EscherPro is a miniature version of the estate size MR16 EscherPro. This is for landscape lighting projects that do not require the robustness of the MR16 EscherPro, but lend themselves to the same sleek and linear design. This fixture shares a lot of features with its estate size brother; such as, the tight lamp fitment that helps with heat dissipation, a twist and lock body design, an adjustable glare guard, a strong precision aimed knuckle with (38) interlocking teeth. This version has a dual O ring Gasket faceplate and a silicone plug for the wire exit. This fixture takes any standard size MR11 bulb and comes with a lifetime warranty.

### Product Dimensions



### Specifications

- Construction: Brass
- Finish: Bronze
- Lead Wire: 18 AWG
- Mounting Orientation: Uplighting
- Lens: Clear flat glass
- Light Source: MR11 (sold separately)
- Operating Voltage: 12VAC
- Powered by: AMP's Low Voltage Transformer

### Features & Benefits

- Solid Cast Brass Construction.
- Pre-aged finish; natural patina that does not corrode.
- Beryllium copper socket more corrosion resistant than copper.
- Silicone plug at lead wire exit prevents ground moisture and insects from entering luminaire through the stem.
- Twist and lock body design
- Strip resistant threading provides superior mounting stability.
- Adjustable knuckle and adjustable glare guard allows light to be precision aimed.
- Tight lamp fitment that helps with heat dissipation.

### Warranty

Lifetime Warranty

### Certifications

 **Max 20 Watts**  
LISTED File # E466348

 **Max 20 Watts**  
LISTED File #E466348