

PRODUCT SPECIFICATIONS

AMP[®]

Project Name _____ Date _____

Type or Model _____ Qty _____

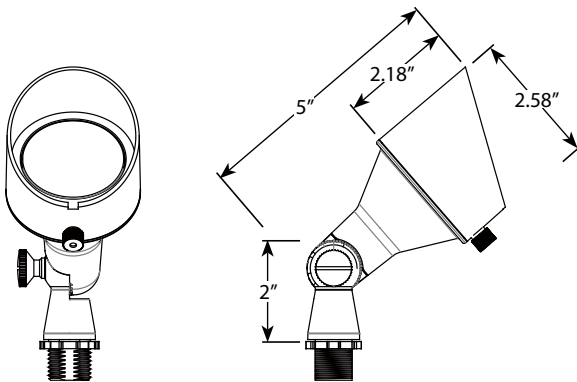
AMP[®] Low Voltage Landscape Lighting LucidPro MR16 Spotlight (Lamp Ready)- AAL-1031-4-B-BZ

Product Description

The AMP[®] LucidPro Spotlight is a lamp-ready fixture capable of producing powerful light output typically seen from an integrated LED fixture. Designed to primarily be used with our 9W LED MR16 lamp (70W Halogen Equivalent), this fixture is specially designed for high lumen output. The recommended LED MR16 lamp features a thermal foldback design which will help dissipate heat by gradually dimming if needed. The fixture can also be used with our traditional LED MR16 lamps. A cast brass construction with an antique bronze finish offers a lifetime of durability and beauty. The twist-and-lock style lens makes for easy bulb installation. Tool-less adjustability of the knuckle and glare guard allow for precision aiming of light output and additional glare control. Includes AMP[®]'s Hassle-Free Lifetime Warranty.



Product Dimensions



Features & Benefits

- ▶ Cast Brass Construction
- ▶ Tool-less knuckle for easy adjustability
- ▶ Pre-aged finish; no powder coating, paint or finish to wear off or peel—just natural patina that does not corrode.
- ▶ Beryllium copper socket - more corrosion resistant than copper.
- ▶ Silicone plug at lead wire exit prevents ground moisture and insects from entering luminaire through the stem.
- ▶ Water Tight Silicone O-Ring - keeps water from entering luminaire.
- ▶ Extra-long (1-inch) strip resistant threading and solid brass locknut provide superior mounting stability.

Specifications

- ▶ **Construction:** Brass
- ▶ **Finish:** Bronze
- ▶ **Lead Wire:** 18AWG
- ▶ **Mounting:** Hammer[®] Stake with cutout for wire exit
- ▶ **Lens:** Clear Flat Glass
- ▶ **Light Source (not included):** 9W MR16 or traditional MR16
- ▶ **Operating Voltage:** 12VAC
- ▶ **Powered by:** AMP's Low Voltage Transformer

Warranty

Lifetime Warranty

Certifications

