

PRODUCT SPECIFICATIONS

AMP[®]

Project Name _____ Date _____

Type or Model _____ Qty _____

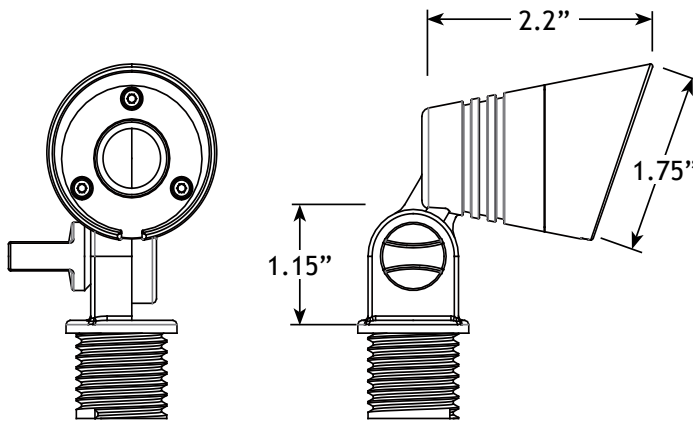
AMP[®] Low Voltage Landscape Lighting

AMP[®] AtomPro Mini LED Spotlight (Constant Output)- AAL-1041-4-B-BZ

Product Description

The AMP[®] AtomPro Mini LED Spotlight is the most compact integrated LED spotlight offered by AMP[®]. The small size and toolless adjustability of this fixture make it extremely easy-to-install and small enough for installation in garden planters, small garden beds, and other niche areas. Ideal for applications where a discreet light source is desired for subtle illumination. Constructed of solid brass to last a lifetime and backed by a Lifetime Warranty.

Product Dimensions



Specifications

- ▶ **Construction:** Brass
- ▶ **Finish:** Bronze
- ▶ **Lead Wire:** 18 AWG
- ▶ **Lens:** Clear flat glass
- ▶ **Light Source:** Integrated
- ▶ **Operating Voltage:** 12VAC
- ▶ **Powered by:** AMP's Low Voltage Transformer
- ▶ **Watts:** 3W
- ▶ **Lumens:** 150lm
- ▶ **Color Temperature:** 2700K
- ▶ **Beam Angle:** 40°

Features & Benefits

- ▶ Solid Brass Construction.
- ▶ Pre-aged finish; natural patina that does not corrode.
- ▶ Beryllium copper socket more corrosion resistant than copper.
- ▶ Strip resistant threading provides superior mounting stability.
- ▶ Adjustable knuckle allows light to be precision aimed.

Warranty

Lifetime Warranty

Certifications



LISTED File #E466348



LISTED File #E466348