

## PRODUCT SPECIFICATIONS

# AMP®

Project Name \_\_\_\_\_ Date \_\_\_\_\_

Type or Model \_\_\_\_\_ Qty \_\_\_\_\_

## AMP® Low Voltage Landscape Lighting

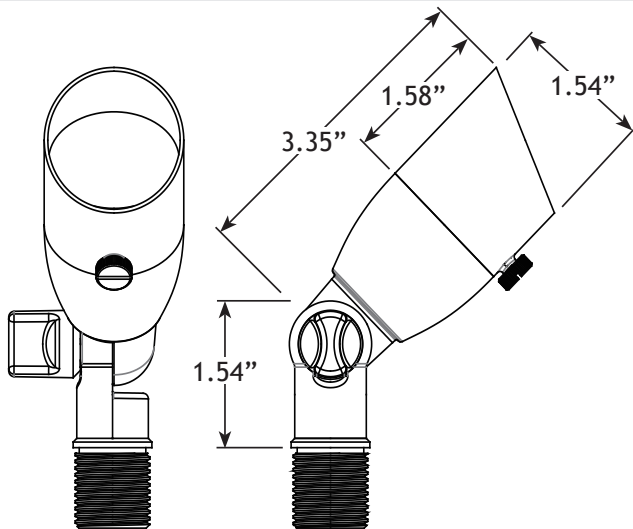
### AMP® JoltPro Mini MR11 Spotlight (Lamp-Ready) - AAL-1043-B-BZ

#### Product Description

The AMP® JoltPro Mini Spotlight is a commercial-grade miniature directional fixture. The compact size is ideal for niche applications such as garden planters, small garden beds, and smaller landscape or architectural features. Constructed of solid cast brass with an antique bronze finish, this fixture is designed for longevity and long-term beauty. Featuring a pressure fit glass lens with a built-in glare guard, MR11 LED bulbs are quick and easy to install and additional glare control is provided. The size and toolless adjustability of this fixture makes it an ideal choice when a small discrete light source is needed - backed by AMP®'s Hassle-free Lifetime Warranty.



#### Product Dimensions



#### Specifications

- ▶ **Construction:** Brass
- ▶ **Finish:** Bronze
- ▶ **Lead Wire:** 18AWG
- ▶ **Mounting:** VOLT® Hub Stake
- ▶ **Lens:** Clear Flat Glass
- ▶ **Light Source (sold separately):** MR11 (LED or Halogen)
- ▶ **Operating Voltage:** 12VAC
- ▶ **Powered by:** VOLT's Low Voltage Transformer

#### Warranty

Lifetime Warranty

#### Certifications



LISTED File #E466348



LISTED File #E466348

#### Features & Benefits

- ▶ Solid Brass Construction.
- ▶ Pre-aged finish- a natural patina that does not corrode.
- ▶ Beryllium copper socket - more corrosion resistant than copper.
- ▶ Silicone plug at lead wire exit prevents ground moisture and insects from entering luminaire through the stem.
- ▶ Designed for toolless adjustments.
- ▶ Extra-long (1-inch) strip resistant threading and solid brass locknut provide superior mounting stability.
- ▶ Heavy duty adjustable knuckle and adjustable glare guard- allows light to be precision aimed.