

PRODUCT SPECIFICATIONS

AMP®

Project Name _____ Date _____

Type or Model _____ Qty _____

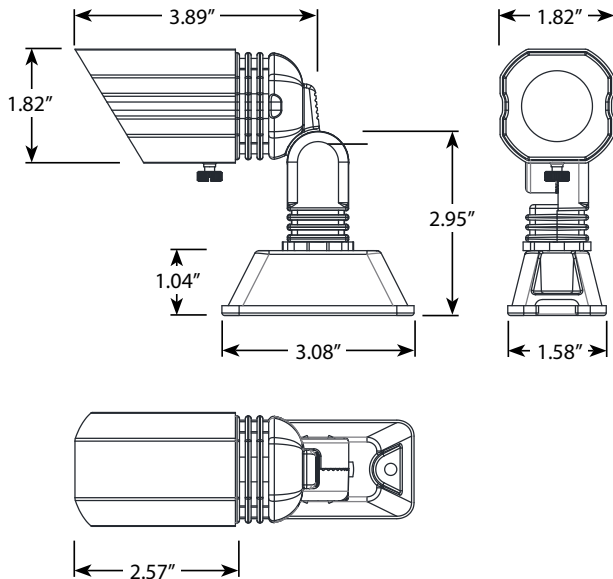
AMP® Low Voltage Landscape Lighting EscherPro MR11 Lanai Light Brass Black- AAL-1046-B-BK

Product Description

This version of the AMP® EscherPro MR11 Spotlight is specially designed for lanai lighting applications. Featuring a pre-installed brass lanai mount, this lanai light can be easily mounted onto pool cage posts. The included mount is engineered with a plastic cover for corrosion prevention - this allows the brass fixtures to be safely mounted to the aluminum posts. Constructed of durable, solid cast brass with a heavy-duty black powder coated finish. Ideal for upward or downward illumination around swimming pools and lanais. Designed and optimized for use with LED MR11 lamps. Backed by AMP®'s Hassle-Free Lifetime Warranty.



Product Dimensions



Specifications

- **Construction:** Brass
- **Finish:** Black
- **Lead Wire:** 18 AWG
- **Mounting Orientation:** Up or Down
- **Lens:** Clear flat glass
- **Light Source:** MR11 (sold separately)
- **Operating Voltage:** 12VAC
- **Powered by:** AMP's Low Voltage Transformer

Features & Benefits

- Solid Cast Brass Construction.
- Pre-installed brass lanai mount with plastic cover to prevent corrosion
- Beryllium copper socket more corrosion resistant than copper.
- Silicone plug at lead wire exit prevents moisture and insects from entering luminaire through the stem.
- Twist and lock body design
- Strip resistant threading provides superior mounting stability.
- Adjustable knuckle and adjustable glare guard allows light to be precision aimed.
- Tight lamp fitment that helps with heat dissipation.

Warranty

Lifetime Warranty

Certifications

