

PRODUCT SPECIFICATIONS

AMP®

Project Name _____ Date _____

Type or Model _____ Qty _____

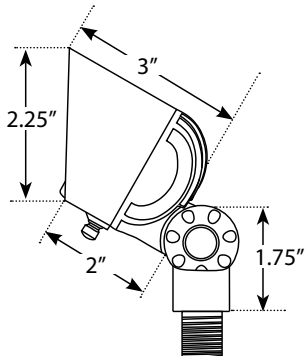
AMP® Low Voltage Landscape Lighting G2 ControlPro Series- AAL-120X-4-B-BZ

Product Description

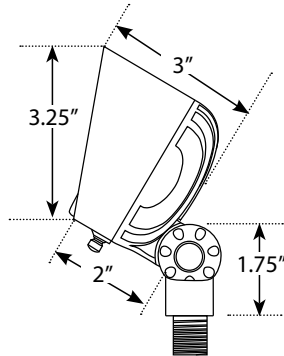
AMP® G2 ControlPro Series spotlights are professional grade integrated LED fixtures perfect for any uplighting application.

Constructed of heavy solid cast brass, the G2 ControlPro Series incorporates a built in driver and uses its body as a heat sink. The design allows the single source CREE LED chip to run at a cooler temperature, which equates to a longer life! Constructed (with a silicone plug where the lead wires exit the luminaire) and thick O-ring under the shroud, the ControlPro is completely water-tight. The luminaire has an adjustable knuckle to aim light where it is needed.

Product Dimensions



ControlPro 30



ControlPro 40
ControlPro 60

Features & Benefits

- ▶ Solid Brass Construction.
- ▶ Pre-aged finish- a natural patina that does not corrode.
- ▶ Adjustable knuckle with lock screw allows light to be precision positioned.
- ▶ Silicone plug at lead wire exit prevents ground moisture and insects from entering luminaire through the stem.
- ▶ Machine threaded body screws tighten onto thick O-ring for a moisture-tight design.
- ▶ The G2 ControlPro series of fixtures should **NOT** be used as a downlight nor aimed in a downward position.
- ▶ CREE 4 Step Binned LED Diodes with L70 over 60,000 Hours
- ▶ Comes with 60° optic pre-installed



Specifications

- ▶ Construction: Solid Cast Brass
- ▶ Finish: Bronze
- ▶ Lead Wire: 18AWG
- ▶ Mounting: 10" Hammer Stake
- ▶ Lens: Clear flat glass
- ▶ Light Source: Integrated Single Source CREE LED
- ▶ Powered by: AMP's Low Voltage Transformer

Warranty

Residential: Lifetime Warranty

Commercial: 10-Year Warranty

Certifications



LISTED File #E466348



LISTED File #E466348