

## PRODUCT SPECIFICATIONS

# AMP®

Project Name \_\_\_\_\_ Date \_\_\_\_\_

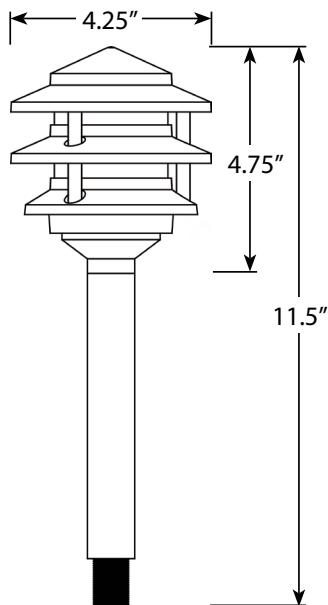
Type or Model \_\_\_\_\_ Qty \_\_\_\_\_

## AMP® Low Voltage Landscape Lighting TieredPro Path Light- AAR-3511-B-BZ

### Product Description

The AMP® TieredPro Path Light has a classic Asian-inspired look with advanced features. The wider flanges result in less direct glare and better reflection down onto the surface of the ground. Corrosion-resistant internal components ensure years of optimal performance. The placement of the socket on the stem top makes inserting or changing bulbs fast and easy. Comes with a lifetime warranty.

### Product Dimensions



### Features & Benefits

- ▶ Solid Brass construction
- ▶ Pre-aged finish; natural patina that does not corrode.
- ▶ Stem is 1-inch thick and includes extra-long (1-inch) strip resistant threading for greater stability.
- ▶ Beryllium copper socket - more corrosion resistant than copper.
- ▶ Silicone plug at lead wire exit prevents ground moisture and insects from entering luminaire through the stem.



### Specifications

- ▶ **Construction:** Brass
- ▶ **Finish:** Bronze
- ▶ **Lead Wire:** 16AWG
- ▶ **Mounting:** 10" Hammer® Stake with cutout for wire exit or brass Surface Mount
- ▶ **Lens:** Frosted Polycarbonate Lens
- ▶ **Light Source (not included):** Bipin (LED or Halogen)
- ▶ **Operating Voltage:** 12VAC
- ▶ **Powered by:** AMP's Low Voltage Transformer

### Warranty

Lifetime Warranty

### Certifications

