

PRODUCT SPECIFICATIONS



Project Name _____ Date _____

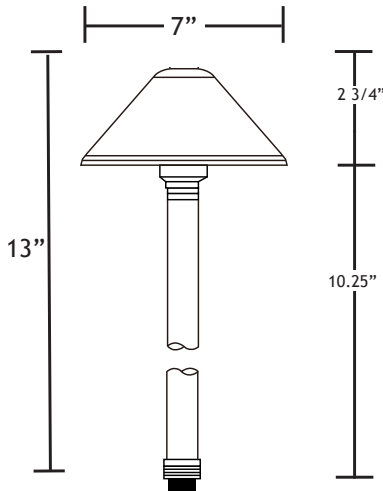
Type or Model _____ Qty _____

AMP® Low Voltage Landscape Lighting Mini ConicaPro™ Path & Area Light

Product Description

This mini path light boasts a sleek black powder-coat finish, ideal for small spaces. Its compact 10.25" stem (compared to the standard 24") creates a subtle glow that discreetly blends into any landscape design. Crafted from high-quality die-cast brass for long-lasting durability, this fixture offers a touch of modern elegance. Space the fixtures about 6 feet apart for continuous illumination along a path, or 8.5 feet apart for independent pools of light.

Product Dimensions



Specifications

- ▶ **Construction:** Brass
- ▶ **Finish:** Black
- ▶ **Lead Wire:** 18AWG
- ▶ **Mounting:** 10" Hammer™ stake with cutout for wire exit
- ▶ **Lens:** Clear
- ▶ **Light Source:** LED Bipin (sold separately)
- ▶ **Operating Voltage:** 12VAC
- ▶ **Powered By:** AMP® Low Voltage Transformers

Warranty

Lifetime Warranty

Certifications



Features & Benefits

- ▶ Solid cast brass construction.
- ▶ Stem is 1-inch thick and includes extra-long (1-inch) strip resistant threading for greater stability.
- ▶ Ceramic white paint under shade for maximum light reflection.
- ▶ Beryllium copper socket - more corrosion resistant than copper.
- ▶ Silicone plug at lead wire exit prevents ground moisture and insects from entering luminaire through stem.