

## PRODUCT SPECIFICATIONS

# AMP<sup>®</sup>

Project Name \_\_\_\_\_ Date \_\_\_\_\_

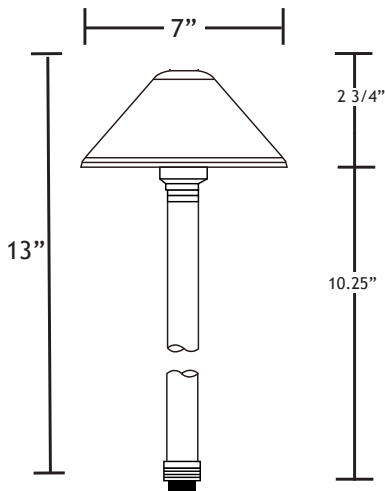
Type or Model \_\_\_\_\_ Qty \_\_\_\_\_

## AMP<sup>®</sup> Low Voltage Landscape Lighting Mini ConicaPro<sup>™</sup> Path & Area Light

### Product Description

Ideal for small spaces, this mini path light has a 12" stem (compared to the standard 24"), creating a subtle glow and discreetly blending into any landscape. Crafted from solid cast brass with a pre-aged bronze finish, this fixture is built for long-lasting durability. For continuous illumination along a path, space the fixtures about 6 feet apart. For independent pools of light, space about 8.5 feet apart.

### Product Dimensions



### Specifications

- ▶ **Construction:** Brass
- ▶ **Finish:** Bronze
- ▶ **Lead Wire:** 18AWG
- ▶ **Mounting:** 10" Hammer<sup>™</sup> stake with cutout for wire exit
- ▶ **Lens:** Clear
- ▶ **Light Source:** LED Bipin (sold separately)
- ▶ **Operating Voltage:** 12VAC
- ▶ **Powered By:** AMP<sup>®</sup> Low Voltage Transformers

### Warranty

Lifetime Warranty

### Certifications



### Features & Benefits

- ▶ Solid cast brass construction.
- ▶ Pre-aged finish; no powder coating, paint or finish to wear off or peel - just natural patina that does not corrode.
- ▶ Stem is 1-inch thick and includes extra-long (1-inch) strip resistant threading for greater stability.
- ▶ Ceramic white paint under shade for maximum light reflection.
- ▶ Beryllium copper socket - more corrosion resistant than copper.
- ▶ Silicone plug at lead wire exit prevents ground moisture and insects from entering luminaire through stem.