

PRODUCT SPECIFICATIONS

AMP[®]

Project Name _____ Date _____

Type or Model _____ Qty _____

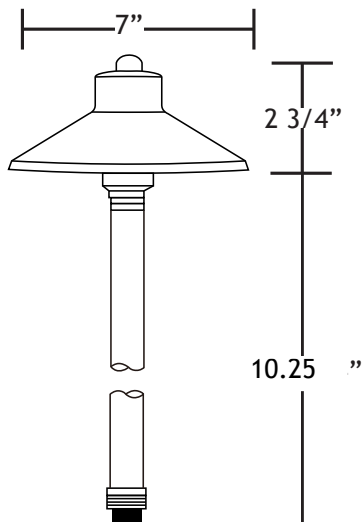
AMP[®] Low Voltage Landscape Lighting Mini SummitPro[™] Path & Area Light

Product Description

This Mini SummitPro[™] path light offers a compact and effective design in a sleek black powder-coat finish. It projects a medium-sized soft-edged beam, ideal for illuminating small to medium-sized areas. The 10.25" stem keeps the profile subtle and allows it to seamlessly blend into any landscape. Made from high-quality die-cast brass with a durable black powder-coat finish, this fixture offers long-lasting performance and a modern aesthetic. Space the fixtures about 6 feet apart for continuous illumination along a path, or 8.5 feet apart for independent pools of light.



Product Dimensions



Specifications

- ▶ **Construction:** Brass
- ▶ **Finish:** Black
- ▶ **Lead Wire:** 18AWG
- ▶ **Mounting:** 10" Hammer[™] stake with cutout for wire exit
- ▶ **Lens:** Clear
- ▶ **Light Source:** LED Bipin (sold separately)
- ▶ **Operating Voltage:** 12VAC
- ▶ **Powered By:** AMP[®] Low Voltage Transformers

Features & Benefits

- ▶ Solid cast brass construction.
- ▶ Stem is 1-inch thick and includes extra-long (1-inch) strip resistant threading for greater stability.
- ▶ Ceramic white paint under shade for maximum light reflection.
- ▶ Beryllium copper socket - more corrosion resistant than copper.
- ▶ Silicone plug at lead wire exit prevents ground moisture and insects from entering luminaire through stem.

Warranty

Lifetime Warranty

Certifications

