

PRODUCT SPECIFICATIONS

AMP[®]

Project Name _____ Date _____

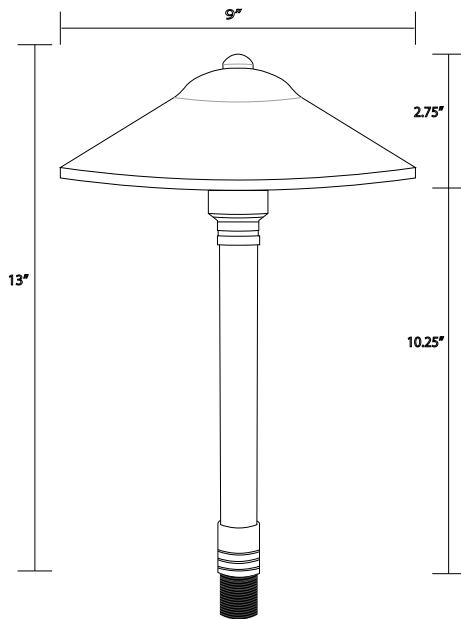
Type or Model _____ Qty _____

AMP[®] Low Voltage Landscape Lighting Mini MagnumPro Path & Area Light

Product Description

The Mini MagnumPro gets a modern update with a sleek black powder-coat finish. Projecting an 8" diameter beam spread, the mini MagnumPro casts a light region that's 30% wider than our other mini path lights. Its high-quality die-cast brass construction ensures long-lasting durability. The 10.25" stem keeps its presence discreet, seamlessly blending into any landscape design. It's ideal for illuminating paths, driveways, steps, stairs, flower beds, and more. Space the fixtures about 6 feet apart for continuous illumination or 8.5 feet apart for independent pools of light.

Product Dimensions



Specifications

- ▶ **Construction:** Brass
- ▶ **Finish:** Black
- ▶ **Lead Wire:** 18AWG
- ▶ **Mounting:** 10" Hammer™ stake with cutout for wire exit
- ▶ **Lens:** Clear
- ▶ **Light Source:** LED Bipin (sold separately)
- ▶ **Operating Voltage:** 12VAC
- ▶ **Powered By:** AMP[®] Low Voltage Transformers

Features & Benefits

- ▶ Solid cast brass construction.
- ▶ Stem is 1-inch thick and includes extra-long (1-inch) strip resistant threading for greater stability.
- ▶ Ceramic white paint under shade for maximum light reflection.
- ▶ Beryllium copper socket - more corrosion resistant than copper.
- ▶ Silicone plug at lead wire exit prevents ground moisture and insects from entering luminaire through stem.

Warranty

Lifetime Warranty

Certifications

