

PRODUCT SPECIFICATIONS

AMP[®]

Project Name _____ Date _____

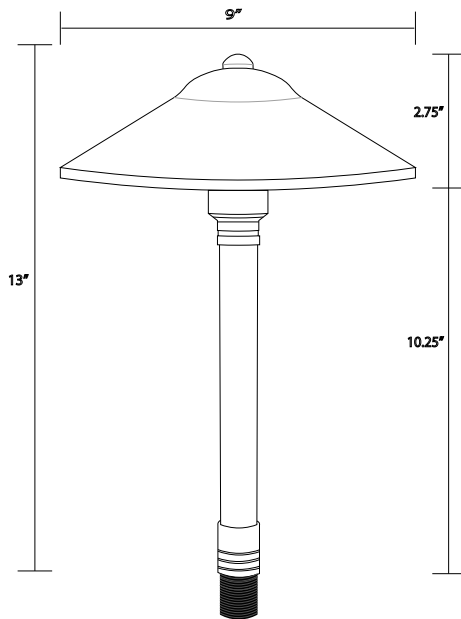
Type or Model _____ Qty _____

AMP[®] Low Voltage Landscape Lighting Mini MagnumPro Path & Area Light

Product Description

Crafted from solid cast brass with a pre-aged bronze finish, the Mini MagnumPro is crafted for long-lasting durability. Ideal for paths, driveways, steps, stairs, flower beds, and more, the Mini MagnumPro™ features our widest hat design, projecting an impressive 8-foot diameter region of illumination - 30% greater than any of our other mini path lights. With its 12" stem, this miniature version of our popular path light offers a subtle beam spread and a less obtrusive presence, making it perfect for seamlessly blending into landscapes.

Product Dimensions



Specifications

- ▶ **Construction:** Brass
- ▶ **Finish:** Bronze
- ▶ **Lead Wire:** 18AWG
- ▶ **Mounting:** 10" Hammer™ stake with cutout for wire exit
- ▶ **Lens:** Clear
- ▶ **Light Source:** LED Bipin (sold separately)
- ▶ **Operating Voltage:** 12VAC
- ▶ **Powered By:** AMP[®] Low Voltage Transformers

Features & Benefits

- ▶ Solid cast brass construction.
- ▶ Pre-aged finish; no powder coating, paint or finish to wear off or peel - just natural patina that does not corrode.
- ▶ Stem is 1-inch thick and includes extra-long (1-inch) strip resistant threading for greater stability.
- ▶ Ceramic white paint under shade for maximum light reflection.
- ▶ Beryllium copper socket - more corrosion resistant than copper.
- ▶ Silicone plug at lead wire exit prevents ground moisture and insects from entering luminaire through stem.

Warranty

Lifetime Warranty

Certifications

