

## PRODUCT SPECIFICATIONS

# AMP®

Project Name \_\_\_\_\_ Date \_\_\_\_\_

Type or Model \_\_\_\_\_ Qty \_\_\_\_\_

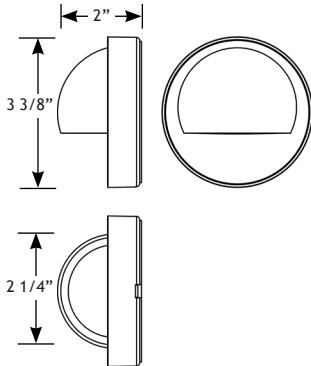
## AMP® Low Voltage Landscape Lighting Deck-DesignPro Classic- ADL-2010-4-B-XX

### Product Description

The Deck-DesignPro Classic is a high-quality, low voltage outdoor lighting deck fixture from AMP®. Featuring an easy access faceplate; no tools are required to install the lamp in this fixture, just rotate the faceplate into the lock position onto an o-ring gasket. It's a sealed solid brass fixture; which means it's perfect for post lighting on piers or docks, as well as decking and other hardscaping. Professional quality internal components make for a fixture that will last a long time, even in harsh outdoor environments.



### Product Dimensions



### Specifications

- ▶ **Construction:** Brass
- ▶ **Finish:** Bronze or White Powder Coat
- ▶ **Lead Wire:** 4' (standard) or 25' (optional) 16AWG
- ▶ **Mounting:** Two Lock Screws
- ▶ **Lens:** Frosted Glass
- ▶ **Light Source (sold separately):** Bi-Pin (LED or Halogen)
- ▶ **Operating Voltage:** 12VAC
- ▶ **Powered by:** AMP's Low Voltage Transformer

### Features & Benefits

- ▶ Solid Brass Construction.
- ▶ Pre-aged finish; with a natural patina that does not corrode, or the option for a white powder coating.
- ▶ Ceramic white interior reflects light to maximize output and beam spread.
- ▶ Beryllium copper socket - more corrosion resistant than copper.
- ▶ Silicone plug at lead wire exit prevents ground moisture and insects from entering luminaire through the bottom.
- ▶ Twist and lock body style that rotates onto an o-ring for a moisture tight design.

### Warranty

Lifetime Warranty

### Certifications

