

PRODUCT SPECIFICATIONS

AMP[®]

Project Name _____ Date _____

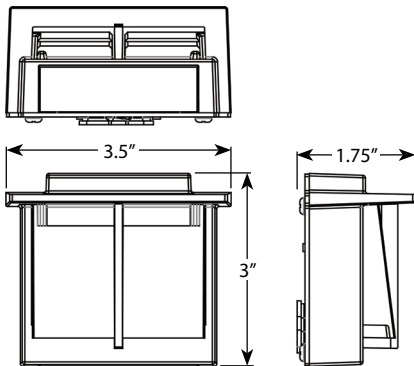
Type or Model _____ Qty _____

AMP[®] Low Voltage Landscape Lighting DecoPro LED Deck Light- ADL-2012-4-B-BZ

Product Description

The DecoPro LED Deck Light is a high-quality, low voltage outdoor lighting deck fixture from AMP[®]. Featuring an easy access faceplate; even easier than previous deck light models, that only takes a quarter turn to unlock & remove. It is equally strong when locked into place keeping its body securely fastened. This series also features a wire strain relief in the design to keep the wire from being pulled from the fixture. Because it is integrated, there are no bulbs to worry about either. Just install and enjoy. Backed by our lifetime warranty, because failure is not an option.

Product Dimensions



Specifications

- ▶ **Construction:** Brass
- ▶ **Finish:** Bronze
- ▶ **Lead Wire:** 18AWG
- ▶ **Mounting:** Two Lock Screws (required)
- ▶ **Lens:** Clear Glass
- ▶ **Light Source:** Integrated LED Board
- ▶ **Operating Voltage:** 9-15VAC
- ▶ **Powered by:** AMP's Low Voltage Transformer

Features & Benefits

- ▶ Solid Brass Construction.
- ▶ Pre-aged finish; with a natural patina that does not corrode
- ▶ Unique linear design that allows light to escape in multiple places while still protecting from glare at the front and sides
- ▶ LED board specifically designed for this fixture
- ▶ Unique backplate shape for wire tension relief to decrease the risk of the wires being pulled loose from the fixture
- ▶ New daytime aesthetic appeal unmatched by other deck style hardscape lights

Warranty

Lifetime Warranty

Certifications

