

## PRODUCT SPECIFICATIONS

# AMP<sup>®</sup>

Project Name \_\_\_\_\_ Date \_\_\_\_\_

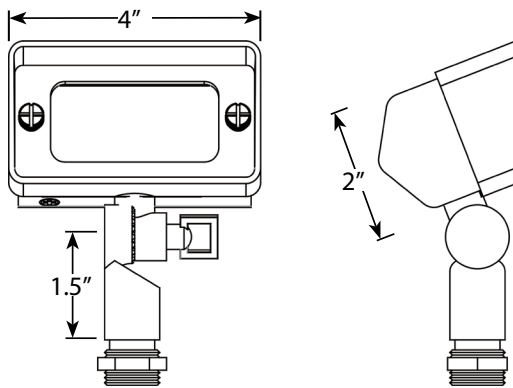
Type or Model \_\_\_\_\_ Qty \_\_\_\_\_

## AMP<sup>®</sup> Low Voltage Landscape Lighting DiffusePro Flood Light- AFL-4010-4-B-BZ

### Product Description

AMP's DiffusePro Flood Light is great for a more subtle flood lighting or gentle flooding of individual objects. This luminaire includes several different lenses, so you can choose the best effect for your application. It provides a wider beam spread than spotlights, but not overpowering illumination like that of a larger floodlight. The DiffusionPro's small size makes it a popular choice for hiding/mounting up in a trellis, rafters, etc. with the optional surface mount and comes with a Lifetime Warranty.

### Product Dimensions



### Features & Benefits

- ▶ Solid Brass Construction.
- ▶ Pre-aged finish- a natural patina that does not corrode.
- ▶ Stem is 1-inch thick and includes extra-long (1-inch) strip resistant threading for greater stability.
- ▶ Beryllium copper socket - more corrosion resistant than copper.
- ▶ Silicone plug at lead wire exit prevents ground moisture and insects from entering.
- ▶ Machine threaded body screws tighten onto a gasket for a moisture tight design.



### Specifications

- ▶ **Construction:** Brass
- ▶ **Finish:** Bronze
- ▶ **Lead Wire:** 16AWG
- ▶ **Mounting:** 10" Hammer<sup>®</sup> Stake
- ▶ **Lens:** Frosted lens (installed), clear lens and spread diffusion lens
- ▶ **Light Source (sold separately):** Bi-pin (LED or Halogen)
- ▶ **Operating Voltage:** 12VAC
- ▶ **Powered by:** AMP's Low Voltage Transformer

### Warranty

Lifetime Warranty

### Certifications

