

PRODUCT SPECIFICATIONS

AMP[®]

Project Name _____ Date _____

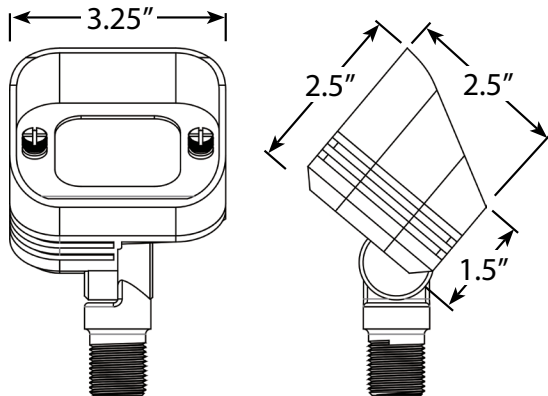
Type or Model _____ Qty _____

AMP[®] Low Voltage Landscape Lighting DispersePro Flood Light- AFL-4012-4-B-BZ

Product Description

The DispersePro fixture packs a punch at over 250 lumens with its clear lens; while allowing you to adjust the performance, by swapping out the clear lens with a spread diffusion or a frosted version. With an extremely durable construction, the DispersePro is made to last. These flood lights are ideal for illuminating signs, walls, and plant material. There are no bulbs to change, and no need to stress. These fixtures make it extremely easy to install it and forget it. You can rest easy knowing full well that these fixtures will stand the test of time and keep providing a beautifully diffused light for many years to come.

Product Dimensions



Features & Benefits

- ▶ Solid Brass Construction.
- ▶ Pre-aged finish- a natural patina that does not corrode.
- ▶ Silicone plug at lead wire exit prevents ground moisture and insects from entering luminaire through the stem.
- ▶ Three Lenses for optimal performance adjustability.
- ▶ Pressure fit gasket for tight seal to protect against water and dust entry.



Specifications

- ▶ **Construction:** Brass
- ▶ **Finish:** Bronze
- ▶ **Lead Wire:** 16AWG
- ▶ **Mounting:** 10" Hammer[®] Stake with cutout for wire exit
- ▶ **Lens:** Clear (pre installed), frosted and spread diffusion lenses included.
- ▶ **Light Source:** Integrated LED
- ▶ **Operating Voltage:** 9-16 VAC
- ▶ **Powered by:** AMP's Low Voltage Transformer

Warranty

Lifetime Warranty

Certifications



LISTED File #E466348



LISTED File #E466348