

## PRODUCT SPECIFICATIONS

# AMP<sup>®</sup>

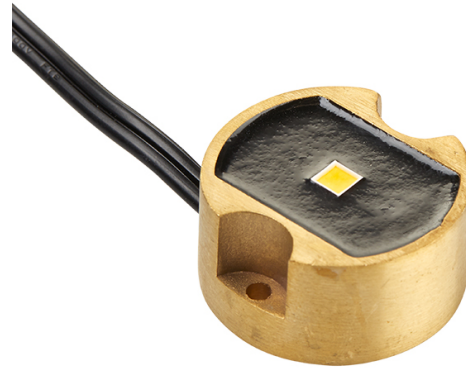
Project Name \_\_\_\_\_ Date \_\_\_\_\_

Type or Model \_\_\_\_\_ Qty \_\_\_\_\_

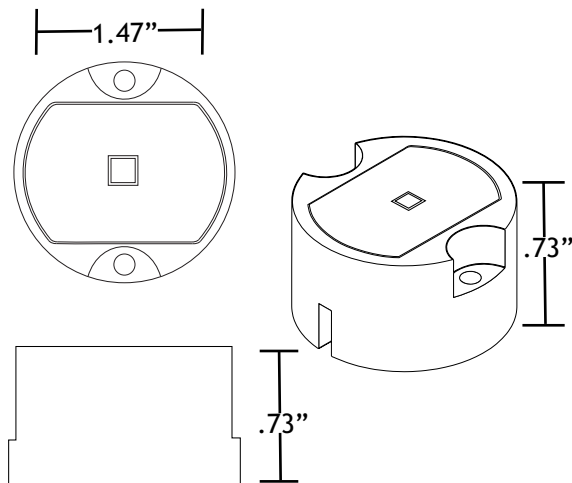
## AMP<sup>®</sup> Low Voltage Landscape Lighting PuckPro Plus Hardscape Light- AHS-7002-X-B-RB

### Product Description

The AMP<sup>®</sup> PuckPro Plus Hardscape Light is an extremely compact professional-quality fixture ideal for a variety of niche applications. It consists of a round brass disc with a Cree<sup>®</sup> LED and AMP<sup>®</sup>-engineered driver embedded in waterproof epoxy. Simple to install; this low voltage outdoor puck light can be mounted under benches, shelves, eaves, gazebos, arbors, porch ceilings, and any location that requires a small discreet light source. The Plus model packs a huge punch from such a small footprint at 300 lumens! With an estimated life of 40,000 hours and extremely low energy consumption (W); this solid brass LED light is an energy-efficient lighting powerhouse. Comes with a lifetime warranty.



### Product Dimensions



\*\*\*NOTE\*\*\*

**FIXTURE MUST BE MOUNTED IN AN  
INVERTED POSITION - FACING DOWNWARD**

### Features & Benefits

- ▶ Solid Brass Construction
- ▶ High quality CREE<sup>®</sup> LED with AMP<sup>®</sup> engineered driver
- ▶ Embedded in water resistant epoxy
- ▶ Low profile for discreet mounting

### Specifications

- ▶ **Construction:** Brass
- ▶ **Finish:** Raw Brass
- ▶ **Lead Wire:** 18AWG
- ▶ **Mounting:** 2 screw holes (hardware not included)
- ▶ **Light Source:** Integrated LED
- ▶ **Color Temperature:** 2700K
- ▶ **CRI:** 80+
- ▶ **Operating Voltage:** 6-18 VAC, with decreased lumens under 9V
- ▶ **Wattage:** 3W
- ▶ **Lumens:** 300
- ▶ **Lumen Maintenance:** 60,000 hours L70
- ▶ **Powered by:** AMP<sup>®</sup> Low Voltage Transformers

### Warranty

Residential: Lifetime Warranty

Commercial: 10-Year Warranty

### Certifications



LISTED File #E466348



LISTED File #E466348