

## PRODUCT SPECIFICATIONS

# AMP®

Project Name \_\_\_\_\_ Date \_\_\_\_\_

Type or Model \_\_\_\_\_ Qty \_\_\_\_\_

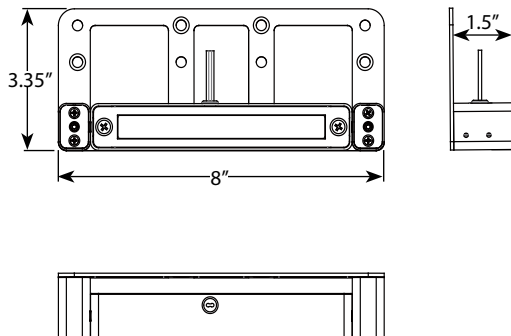
## AMP® Low Voltage Landscape Lighting

The Original AMP® G2 TorrentPro Rotatable/ Pivoting Hardscape (Lamp-Ready)-AHS-7006-B-BZ-R1

### Product Description

The AMP® TorrentPro Rotatable Hardscape Light is a one-of-a-kind commercial-grade landscape lighting fixture. With its rotatable capability, this fixture has an endless number of applications, including: railings, retaining walls, counter tops (for outdoor kitchens) and even property walls/fences. These luminaires are constructed of high quality solid cast brass, with premium internal components as well. Designed and optimized for replaceable LED G4 Bi-Pin lamps. This fixture is completely sealed to protect from moisture and the environment. The frosted lens provides for a beautifully even, soft light that complements any application. Backed by AMP's Hassle-free Lifetime Warranty

### Product Dimensions



### Specifications

- **Construction:** Brass
- **Finish:** Bronze
- **Lead Wire:** 4' (standard) or 25' (optional) 18AWG
- **Lens:** Frosted lens
- **Light Source:** Bi-Pin (sold separately)
- **Powered by:** AMP's Low Voltage Transformer

### Warranty

Lifetime Warranty

### Certifications



### Features & Benefits

- Cast Brass Construction.
- Pre-aged finish- a natural patina that does not corrode.
- Silicone plug at lead wire exit prevents moisture and insects from entering luminaire.
- Multiple applications including railings, retaining walls, counter tops (for out door kitchens), property wall or fences.
- Frosted lens for a defused lighting effect.
- Can use most of our AMP G4 Bi-pins.