

PRODUCT SPECIFICATIONS

AMP[®]

Project Name _____ Date _____

Type or Model _____ Qty _____

AMP[®] Low Voltage Landscape Lighting

AMP[®] PuckPro Super Bi-Pin LED Hardscape Light - AHS-7009-0-B-RB

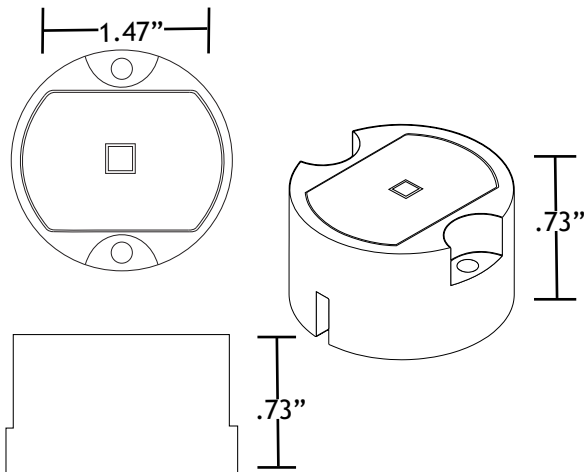
Product Description

This version is the brightest of our bi-pin puck light series. The AMP[®] Bi-Pin Puck Lights are designed for specific use with AMP's estate hanging light ONLY. The Bi-Pin design allows for an easy, on the spot replacement. Constructed of a round brass disc with a Cree[®] LED and AMP[®]-engineered driver embedded in waterproof epoxy. Simple to install; simply remove the current bi-pin puck light from the socket and drop in the replacement. With an estimated life of 40,000 hours and extremely low energy consumption, this solid brass LED light is an energy-efficient lighting powerhouse in a very small package. Backed by a Lifetime Warranty.

NOTE: These replaceable Bi-Pin puck lights are not designed for use in any fixture oriented upwards that is not sealed against moisture



Product Dimensions



Features & Benefits

- ▶ Solid Brass Construction
- ▶ High quality CREE[®] LED with AMP[®] engineered driver
- ▶ Embedded in water resistant epoxy

Specifications

- ▶ **Construction:** Brass
- ▶ **Finish:** Raw Brass
- ▶ **Light Source:** Integrated LED
- ▶ **Color Temperature:** 2700K
- ▶ **CRI:** 80+
- ▶ **Operating Voltage:** 6-18 VAC, with decreased lumens under 9V
- ▶ **Wattage:** 3W
- ▶ **Lumens:** 300
- ▶ **Lumen Maintenance:** 40,000 hours L70
- ▶ **Powered by:** AMP[®] Low Voltage Transformers

Warranty

Residential: Lifetime Warranty
Commercial: 10-Year Warranty

Certifications



LISTED File #E366121



LISTED File #E366121