

PRODUCT SPECIFICATIONS

AMP®

Project Name _____ Date _____

Type or Model _____ Qty _____

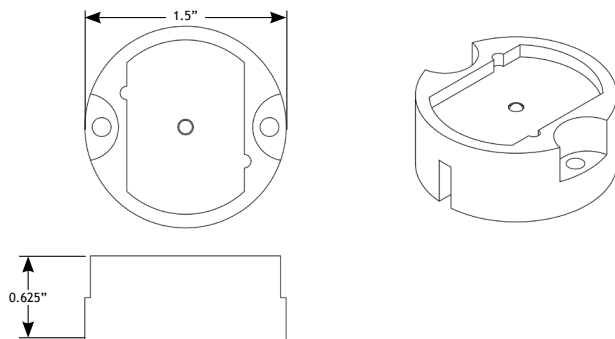
AMP® Low Voltage Landscape Lighting PuckPro Hardscape Light- AHS-700X-X-B-RB

Product Description

The AMP® PuckPro Hardscape Light is an extremely compact professional-quality fixture ideal for a variety of niche applications. It consists of a round brass disc (1.5" x 0.625") with a Cree® LED and AMP®-engineered driver embedded in waterproof epoxy. Simple to install; this low voltage outdoor puck light can be mounted under benches, shelves, eaves, gazebos, arbors, porch ceilings, and any location that requires a small discreet light source. With an estimated life of 40,000 hours and extremely low energy consumption (1.5W); this solid brass LED light is an energy-efficient lighting powerhouse in a very small package. Lifetime warranty.



Product Dimensions



Features & Benefits

- ▶ Solid Brass Construction
- ▶ High quality CREE® LED with AMP® engineered driver
- ▶ Embedded in water resistant epoxy
- ▶ Low profile for discreet mounting

NOTE

FIXTURE MUST BE MOUNTED IN AN
INVERTED POSITION - FACING DOWNWARD

Specifications

- ▶ **Construction:** Brass
- ▶ **Finish:** Raw Brass
- ▶ **Lead Wire:** 18AWG
- ▶ **Mounting:** 2 screw holes (hardware not included)
- ▶ **Light Source:** Integrated LED
- ▶ **Color Temperature:** 2700K and 2200K
- ▶ **CRI:** 80+
- ▶ **Operating Voltage:** 6-18 VAC, with decreased lumens under 9V
- ▶ **Wattage:** 1.5W
- ▶ **Lumens:** 100
- ▶ **Lumen Maintenance:** 40,000 hours L70
- ▶ **Powered by:** AMP® Low Voltage Transformers

Warranty

Residential: Lifetime Warranty

Commercial: 10-Year Warranty

Certifications



LISTED File #E466348



LISTED File #E466348