

PRODUCT SPECIFICATIONS

AMP[®]

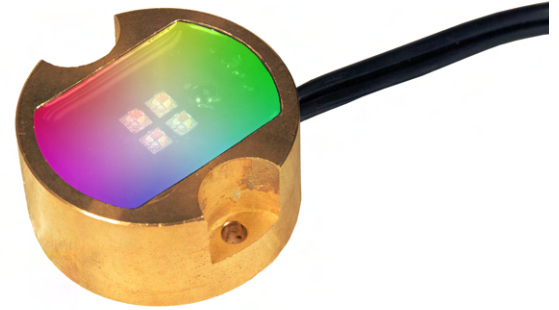
Project Name _____ Date _____

Type or Model _____ Qty _____

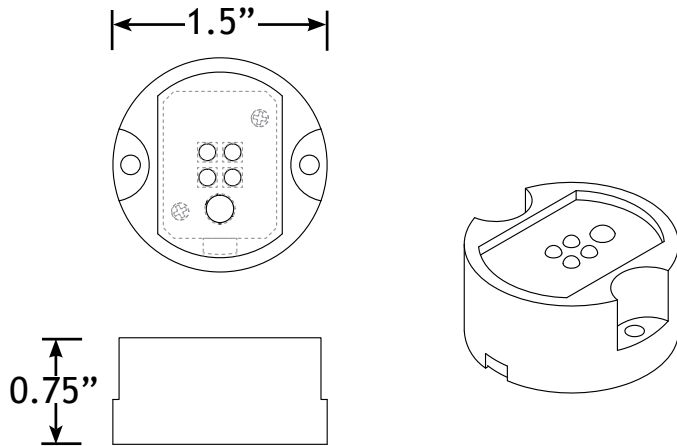
AMP[®] Low Voltage Landscape Lighting RGBW PuckPro LED Hardscape Light - AHS-7013-8-B-RB

Product Description

The AMP[®] PuckPro Hardscape Light is an extremely compact professional-quality fixture constructed of a round brass disc with an integrated RGBW LED and AMP[®]-engineered driver embedded in waterproof epoxy. This integrated LED bi-pin puck light is the first of the series to offer powerful, vivid RGBW color-changing capabilities. True-to-color LEDs produce powerful, vibrant colors. Ideal for a variety of applications & simple to install - can be surface mounted or core drilled. Backed by a Hassle-free Lifetime Warranty.



Product Dimensions



Features & Benefits

- ▶ Solid Brass Construction
- ▶ Red, Blue & Green color options
- ▶ Controlled by an IR remote
- ▶ 8ft Lead Wire
- ▶ IP65 Rated
- ▶ Embedded in water resistant epoxy

Specifications

- ▶ Construction: Brass
- ▶ Finish: Raw Brass
- ▶ Light Source: Integrated LED
- ▶ Color Temperature: White- 2700K
- ▶ CRI: 80+
- ▶ Operating Voltage: 6-18 VAC, with decreased lumens under 9V
- ▶ Wattage: 4W
- ▶ Lumens: 300 2700K White
- ▶ Lumen Maintenance: 40,000 hours L70
- ▶ Powered by: AMP[®] Low Voltage Transformers

Warranty

Residential: Lifetime Warranty
Commercial: 10-Year Warranty

Certifications



LISTED File #E366121



File #E366121