

PRODUCT SPECIFICATIONS

AMP®

Project Name _____ Date _____

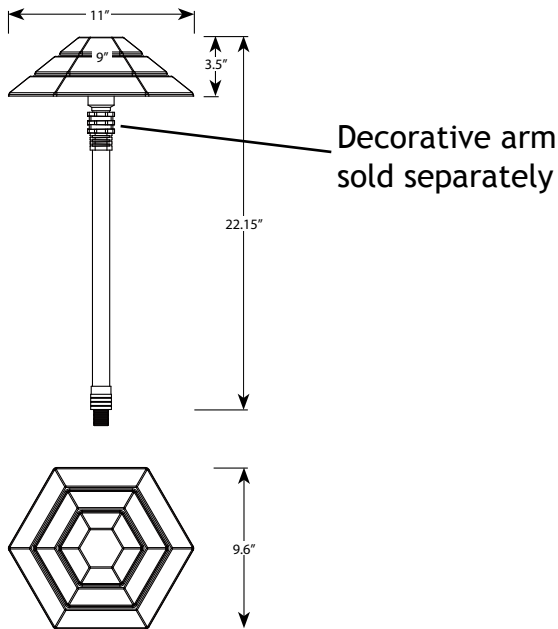
Type or Model _____ Qty _____

AMP® Low Voltage Landscape Lighting TuscanPro Path & Area Light- AHT-3517-B-BZ

Product Description

The TuscanPro is a high quality, brass path lighting fixture with a modern, linear appearance that complements many architectural and landscape styles. Though the hat itself is very linear, it produces a wide, even illumination similar to what you would achieve with a more rounded, traditional hat. Features a 24" stem and optional extension rods. Combine quality brass construction, pro-grade internal components, and lifetime warranty.

Product Dimensions



Specifications

- ▶ **Construction:** Brass
- ▶ **Finish:** Bronze
- ▶ **Lead Wire:** 18AWG
- ▶ **Mounting:** 10" Hammer® Stake with cutout for wire exit
- ▶ **Lens:** Clear Polycarbonate Lens
- ▶ **Light Source (sold separately):** Bi-Pin (LED or Halogen)
- ▶ **Operating Voltage:** 12VAC
- ▶ **Powered by:** AMP's Low Voltage Transformer

Warranty

Lifetime Warranty

Certifications



Features & Benefits

- ▶ Solid Brass
- ▶ Pre-aged patina; a natural finish
- ▶ Stem is 1-inch thick and includes extra-long (1-inch) strip resistant threading for greater stability.
- ▶ Beryllium copper socket - more corrosion resistant than copper.
- ▶ Silicone plug at lead wire exit prevents ground moisture and insects from entering luminaire through the stem.
- ▶ Decorative Arm piece is sold separately for this fixture.