

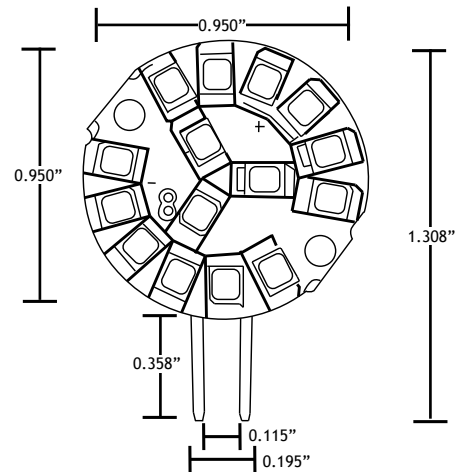


AMP® LED Lamps

Directional GU4 LED Bi-Pin Lamp

Product Description

Introducing AMP®’s new line of directional low voltage LED GU4 Bi-Pins. The directional wafer design of our LED BiPin better fits our AMP® Flood lights. These wafer bulbs are designed for more efficient light dispersment. The directional wafer design sends light out forward as opposed to the common omni directional GU4 lamps. This is a more efficient design for floods, spots, or any other fixture that is being used for a directional application.



Specifications

- ▶ **Input Voltage, Frequency:** 6-18V, 50/60Hz AC, with decreased lumens under 10V
- ▶ **Input Power and Current:**
 - 2W (15W equiv.)
- ▶ **Power Factor:** 0.69 - 0.70
- ▶ **Lumen Output / Efficacy:**
 - 2W (15W equiv.) Models: 200 lm / 100 lm/W
- ▶ **Correlated Color Temperature (CCT):** 2700K
- ▶ **Color Rendering Index (CRI):** 80 - 85
- ▶ **R9:** 9-11
- ▶ **Life:** 40,000 hours (L₇₀)

Features & Benefits

- ▶ Replacement for 15w halogen bulbs
 - Omni Directional beam angles
- ▶ Reduces energy consumption by about 75%
- ▶ Lasts up to 8 times longer than halogen lamps
- ▶ No warm-up time, instant-on with full light output and stable lamp to lamp color
- ▶ Suitable for use in enclosed fixtures

Warranty

Residential: Lifetime Warranty
 Commercial: 10-Year Warranty