

PRODUCT SPECIFICATIONS

AMP[®]

Project Name _____ Date _____

Type or Model _____ Qty _____

AMP[®] Low Voltage Landscape Lighting Single Source MR8 2700K

Product Description

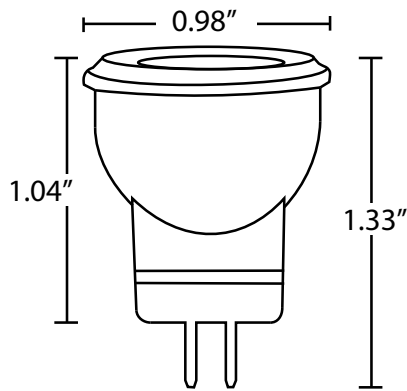
The AMP[®] LED MR8 lamp is designed to match the form factor and illumination of the halogen bulb it replaces.

This lamp is an instant-on and is available in a 38° beam spread. The lamp is a conforming size to fit the need of any application. This MR8 has an estimated life of 40,000 hours.

All AMP[®] LED lamps are backed by our Lifetime Replacement Warranty (for residential applications); the warranty for commercial projects is 10 years.



Product Dimensions



Features & Benefits

- ▶ **Input Voltage, Frequency:** 6-18VAC, 50/60Hz, with decreased lumens under 10V
- ▶ **Input Power:** 2W
- ▶ **Beam Angles:** 38° (flood)
- ▶ **Lumen Output:** 175lm
- ▶ **Correlated Color Temperature (CCT):** 2700K
- ▶ **Color Rendering Index (CRI):** >83
- ▶ **Life:** 40,000 hours (L₇₀)

Specifications

- ▶ Replacements for:
 - 15W Halogen
 - 38° Beam Angle
- ▶ Reduces energy consumption by about 75%
- ▶ Lasts up to 8 times longer than halogen lamps
- ▶ No warm-up time, instant-on with full light output and stable lamp to lamp color

Warranty

Residential: Lifetime Warranty
Commercial: 10-Year Warranty

Certifications



LISTED File #E366121