



AMP® Low Voltage Landscape Lighting

Single Source LED MR8 Lamp- MR8-15-30-38C-R1

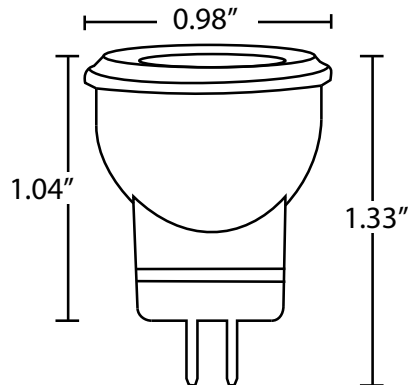
PRODUCT DESCRIPTION

Experience lighting like never before as this lamp utilizes single source LEDs to produce ultra-crisp shadows, providing unmatched precision and depth to your landscape designs. Create captivating lighting effects and accentuate architectural elements with unparalleled clarity, impressing your clients with stunning results.

Energy efficiency is paramount, and this LED lamp takes center stage by reducing energy consumption by a remarkable 75%. Maximize cost savings without compromising on quality or performance, allowing you to deliver outstanding lighting solutions while optimizing operational budgets.



PRODUCT DIMENSIONS



FEATURES & BENEFITS

- ▶ Input Voltage, Frequency: 6-18VAC, 50/60Hz, with decreased lumens under 10V
- ▶ Input Power: 2W
- ▶ Beam Angles: 38° (flood)
- ▶ Lumen Output: 175lm
- ▶ Correlated Color Temperature (CCT): 2700K & 3000K
- ▶ Color Rendering Index (CRI): >83
- ▶ Life: 40,000 hours (L70)

SPECIFICATIONS

- ▶ Replacements for: 15W Halogen
- ▶ 38° Beam Angle
- ▶ Reduces energy consumption by about 75%
- ▶ Lasts up to 8 times longer than halogen lamps
- ▶ No warm-up time, instant-on with full light output and stable lamp to lamp color

WARRANTY

Lifetime Warranty
 Commercial: 10-Year Warranty

CERTIFICATIONS

